



**SEASONAL  
LIVING®**

## **Provenance Signature Collection by Laura Muller Meditation Rectangle Dining Table Assembly Instructions**

S156714362 Meditation Rectangle Dining Tabletop  
S15671346266 or S15671346299 Meditation Dining Table Bases

[SeasonalLiving.com](https://SeasonalLiving.com)  
Tel 512-554-5738  
Fax 512-681-9188  
[sales@SeasonalLiving.com](mailto:sales@SeasonalLiving.com)

**Seasonal Living**  
Park Tower, Suite 350  
4009 Banister Lane  
Austin, Texas 78704  
United States of America

### **ASSEMBLY INSTRUCTIONS SUMMARY**

**READ ALL INSTRUCTIONS PRIOR TO ASSEMBLY AND CHECK THAT YOU HAVE ALL PARTS AND TOOLS PRESENT. DO NOT ASSEMBLE THE DINING TABLE IF YOU ARE MISSING ANY PARTS.**

**Do NOT use power tools to assemble and tighten bolts. Hand-tighten all bolts ONLY using the provided Allen Key.**

**Step 1:** Locate the assembly parts attached in the Dining Tabletop carton box.

**Step 2:** Unpack the dining table pedestal bases & move them to desired location.

**Step 3:** Adjust the dining table pedestal glides on each base.

**Step 4:** Install the dining tabletop on top of the pedestal bases.

**Step 5:** Make final adjustments.

### **IMPORTANT ASSEMBLY INFORMATION**

1. Follow all packaging handling instructions (if any).
2. Check that you have all parts prior to assembly.  
Do not assemble this dining table without all parts being available.
3. All assembly parts can be located on the underside of the dining tabletop.
4. Read the Product Care Instructions prior to assembling the bench.

Continued on next page

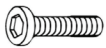
---

## Provenance Signature Collection by Laura Muller Assembly Instructions

5. Do not attempt to assemble this dining table without the assistance of 4 physically capable adults. This product is heavy, lack of physical assistance may result in product damage or physical injury to you or others.
  6. Identify desired location of the dining table and check that the ground surface is solid, flat and level.
  7. We recommend that you use 1 or 2 soft clean moving blankets to help you protect the product post unpacking and prior to assembly.
  8. DO NOT drill or use any other power tools to assemble or tighten the bolts on any part of this dining table. Only use the Allen key to tighten all bolts.
  9. Seek out and check that you have all the adjustable glides (on the dining table base) and that they screw and unscrew easily.
  10. Contact Seasonal Living should you require assembly assistance:  
**Email:** [Service@SeasonalLiving.com](mailto:Service@SeasonalLiving.com)    **Tel:** +1-512-554-5738 Mon-Fri 9am to 4pm US Central time.
- 

### PARTS LIST

**A**  
Bolt .31" x 1"  
16 PCS



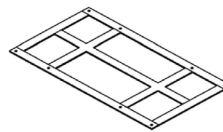
**B**  
FlatWasher .31" x .75"  
16 PCS



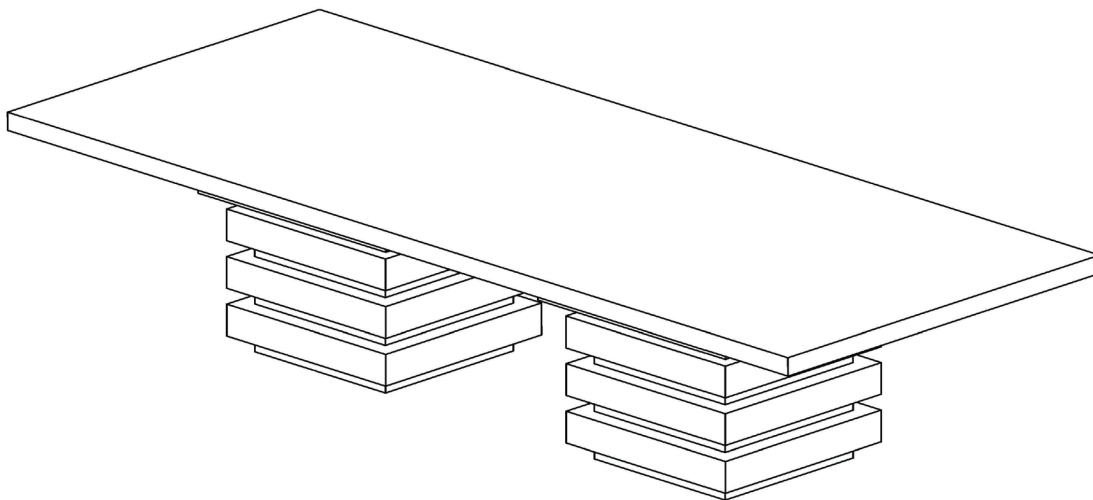
**C**  
Allen Key .20"  
1 PC



**D**  
Metal supporting Brackets  
33.85" x 18.11"  
Qty 1

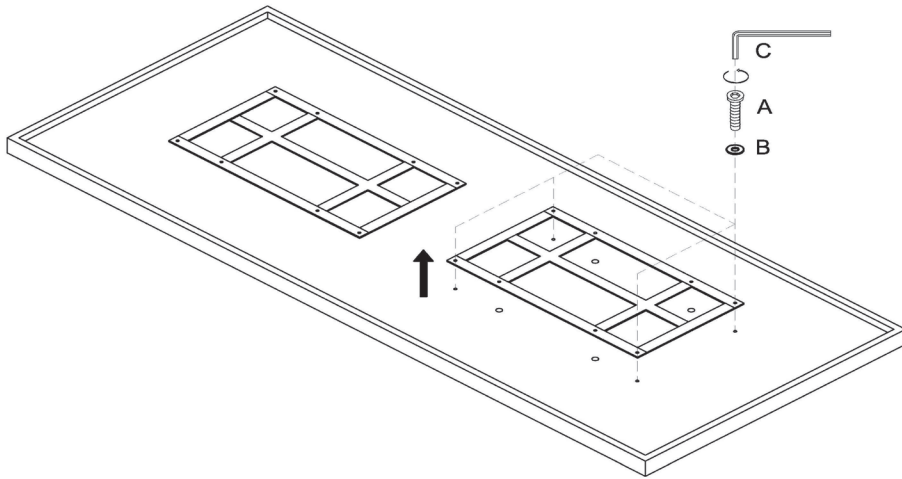


**E**  
Adjustable Glides  
31" x .78" x 1.1"  
8 PCS



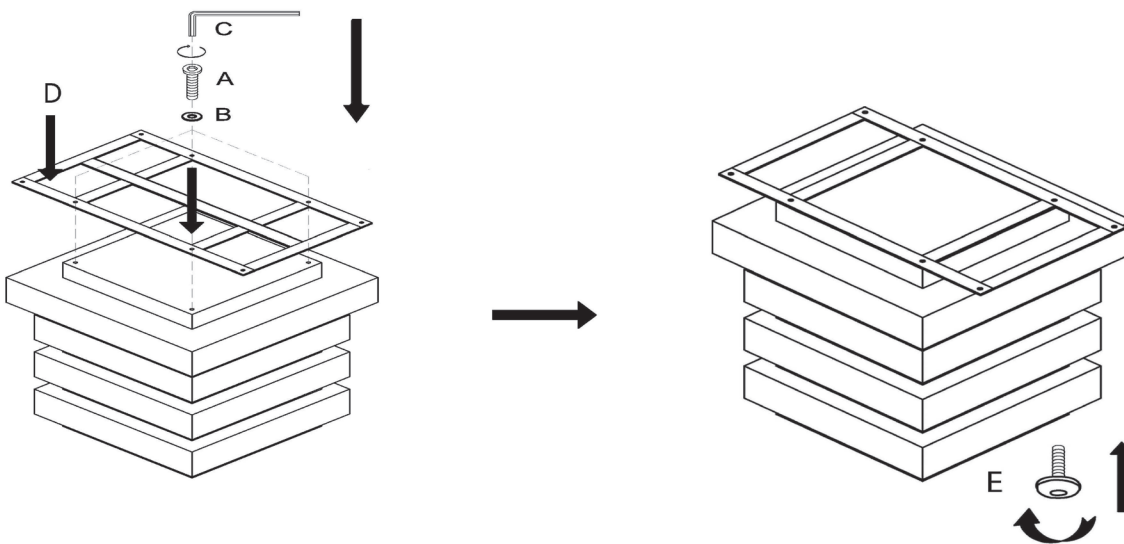
Continued on next page

## Provenance Signature Collection by Laura Muller Assembly Instructions



### STEP 1: LOCATE THE ASSEMBLY PARTS IN THE DINING TABLETOP CARTON BOX.

- Open the carton box containing the dining tabletop.
- Remove all parts: 2 metal assembly brackets and 1 red plastic bag containing the assembly parts A,B,C,D.
- Check against these instructions that you have all the correct counts of assembly parts.
- Remove the assembly brackets from back side of top.



### STEP 2: UNPACK THE DINING TABLE BASES & MOVE THEM TO THE DESIRED LOCATION OF ASSEMBLY AND USE.

- Position the assembly brackets on top of the dining table pedestal bases lining up the holes of the assembly brackets with the holes in the pedestal bases.

Continued on next page

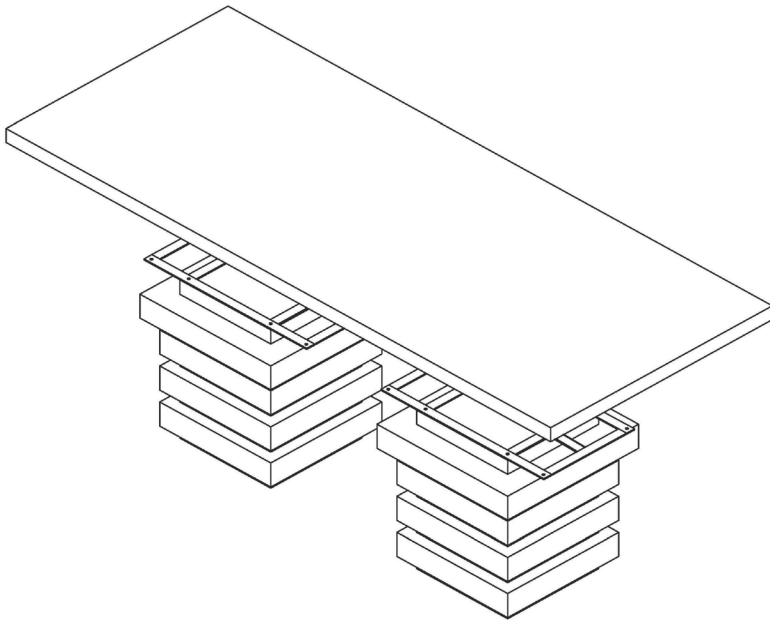
---

## Provenance Signature Collection by Laura Muller Assembly Instructions

- b) Place a washer over each of the 4 centrally located holes on top of the assembly bracket on each pedestal base.
- c) Thread a bolt through the washer and through the assembly bracket and hand tighten using the alien key, repeat with all remaining washers and bolts (total 4 washers and 4 bolts) for each table base.
- d) Make sure the assembly brackets are well-secured to the dining table pedestal bases.
- e) Recheck that the dining table pedestal bases are positioned in the final desired location.

### **STEP 3: ADJUST DINING TABLE PEDESTAL BASE GLIDES (located on the base of the base).**

- a) Adjust the leveler glides to desired height on each pedestal base.



### **STEP 4: MOVE THE DINING TABLETOP ON TOP OF THE DINING TABLE PEDESTAL BASES AND ATTACH.**

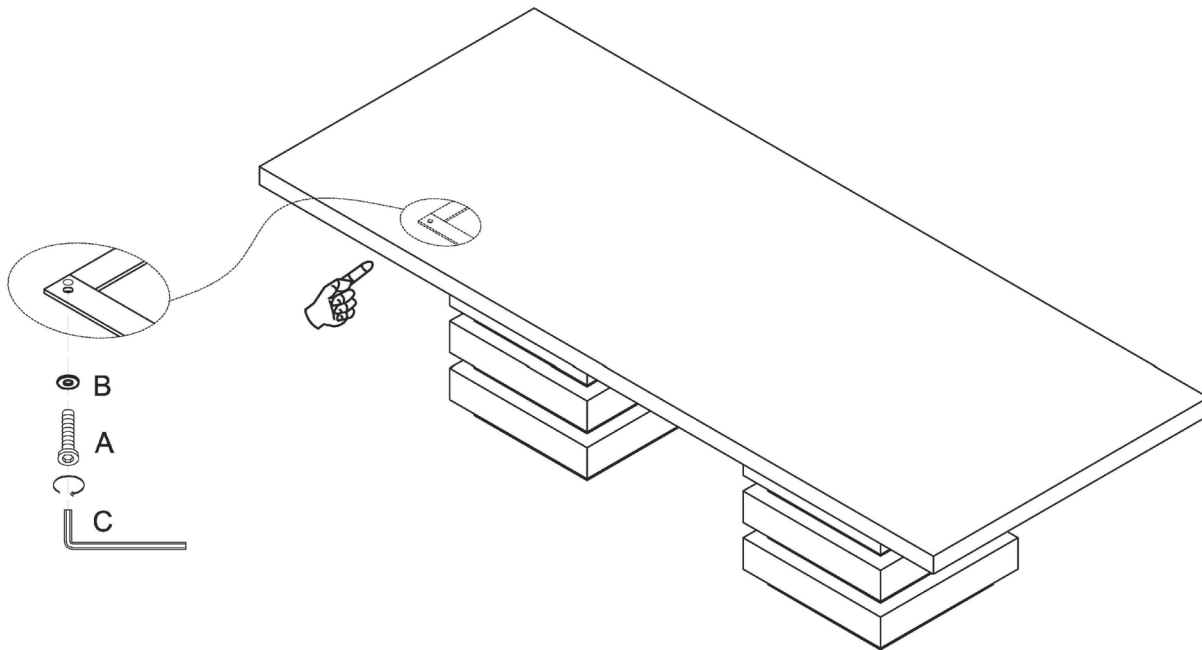
- a) Make certain that the bracket is securely fastened to the pedestal base.
- b) Lift all sides of the dining tabletop at the same time.
- c) Position the tabletop as a guide to line up with the holes in the assembly bracket.
- d) Using the remaining bolts and washers connect the tabletop to the assembly bracket (per pedestal base).
- e) Hand tighten the bolts with the alien key and make sure the tabletop is well secured to each assembly bracket and each dining pedestal base.

---

Continued on next page

---

## Provenance Signature Collection by Laura Muller Assembly Instructions



### STEP 5: MAKE FINAL ADJUSTMENT TO BOTH PEDESTAL BASE GLIDES FOR IDEAL TABLE HEIGHT.

- Check that the assembled dining table is the correct height. Dining tables typically measure about 30 inches (from ground surface to tabletop).
- Check to see if your dining chairs fit well underneath the dining tabletop.
- Adjust glides if necessary.
- Well done—you did it. Enjoy!

---

### CLEANING AND CARE

Treat all surfaces of the bench with care. While the surface is scratch resistant, avoid items that can damage the surface material.

Clean all surfaces with a dry or damp, soft cloth on a regular basis.

DO NOT use any abrasive cleaners or liquids.

The assembly parts may loosen over time. Periodically check that the top and base are well-secured.

For detailed product care instructions, read the instructions shipped with your table or visit [SeasonalLiving.com](http://SeasonalLiving.com) and navigate to the product page for more information.