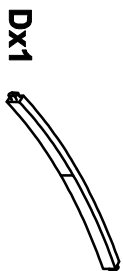
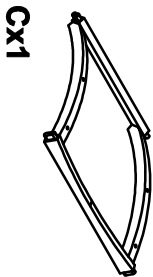
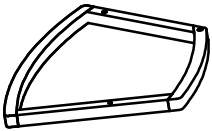
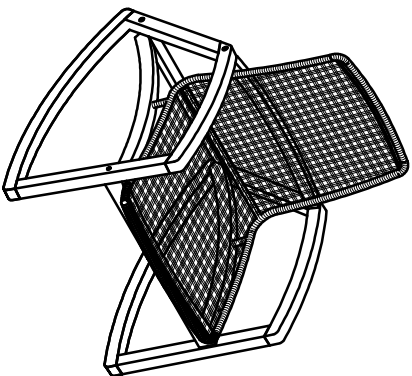


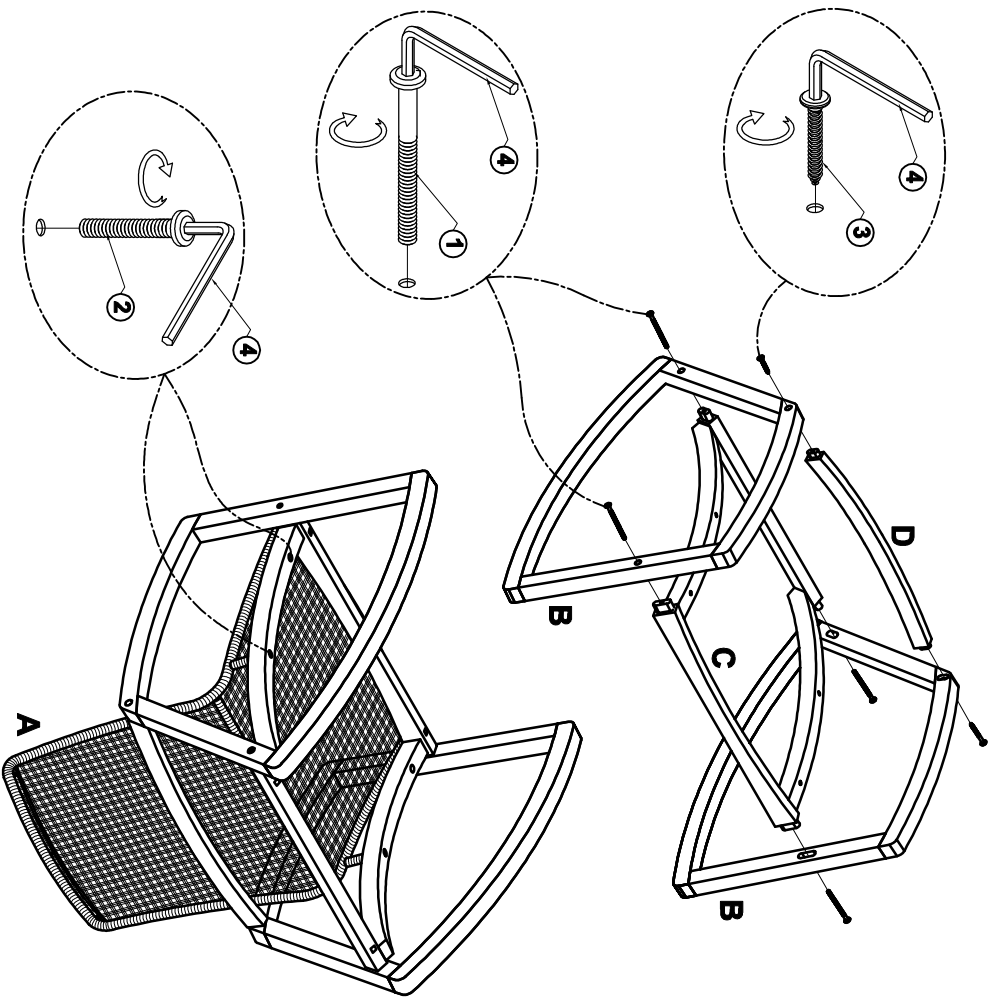
EXPLORER FUEGO COLLECTION - ROCKING CHAIR

Assembly Instructions



LIST OF HARDWARE

NO.	Name	Shape	QTY.
1	F - Bolt (Longer)		04
2	F - Bolt (Short)		04
3	F - Screw		02
4	Allen key A4		01



WARNING! DO NOT use this chair or table in any other way than it is intended. Tables are not designed or intended to be climbed on so, jumped on or stood on. All chair legs MUST remain on the ground surface at all times. DO NOT rock on back chair legs. Chairs are ONLY to be used for sitting on by 1 person at a time. ALWAYS supervise Children for safe use of furniture. FAILURE TO FOLLOW THIS WARNING CAN LEAD TO: SEVERE BODILY INJURY, DEATH OR LOSS OF PROPERTY