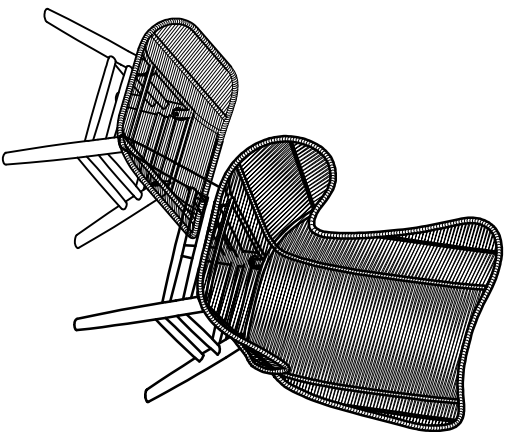


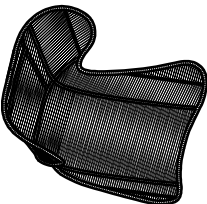
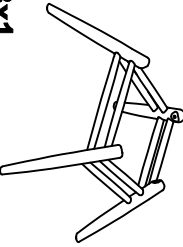
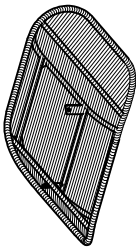
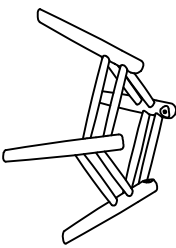


# NEPTUNE CHAIR & OTTOMAN

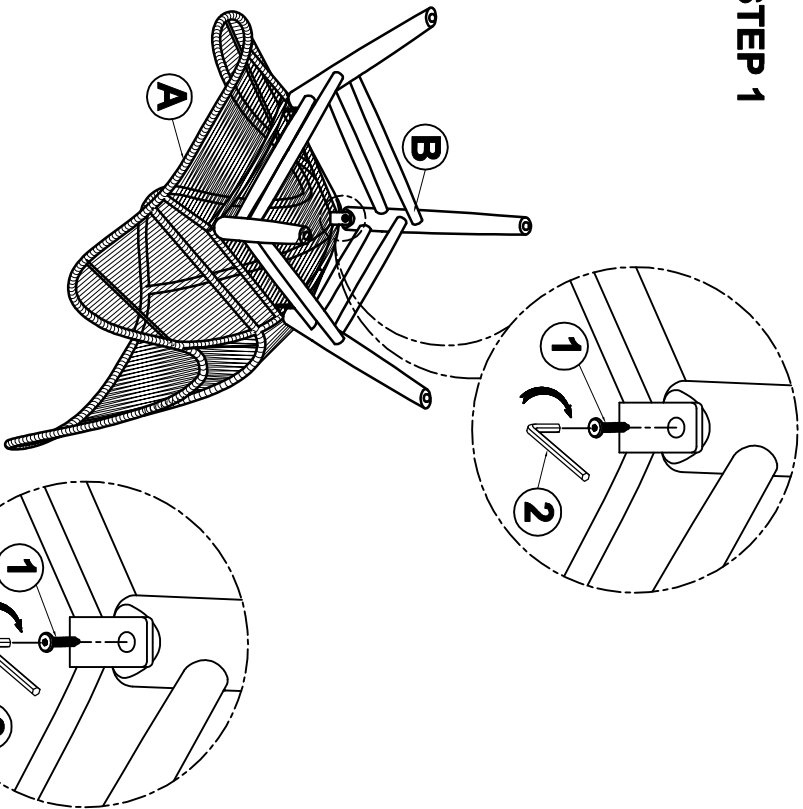
## Assembly Instructions



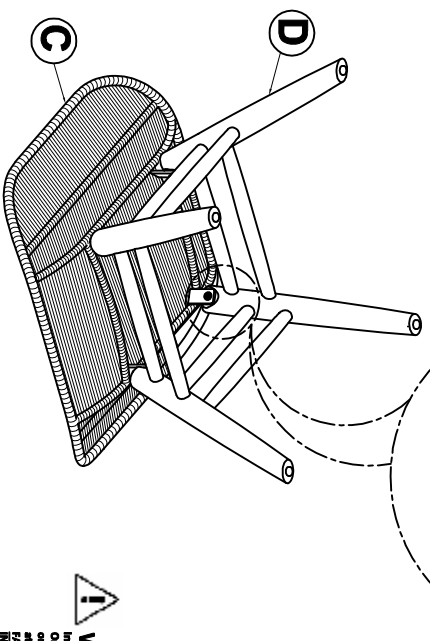
LIST OF HARDWARE		QTY.
NO.	HARDWARE	
1	F-Screw 	08
2	ALLEN KEY 	01

Ax1 	Bx1 
Cx1 	Dx1 

### STEP 1



### STEP 2



**WARNING!** DO NOT use this chair or table in any other way than it is intended. Tables are not designed or intended to be climbed on to, jumped on or stood on. All chair legs **MUST** remain on the ground surface at all times. DO NOT rock on back chair legs. Chairs are **ONLY** to be used for sitting on by 1 person at a time. **ALWAYS** supervise children for safe use of furniture. **CHILDREN'S USE OF FURNITURE CAN LEAD TO SEVERE INJURY.**