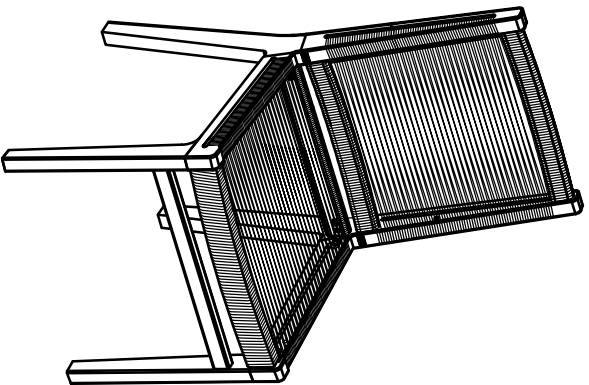




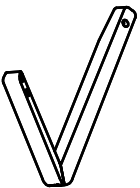
SEASONAL LIVING®

OCEANS ARMCHAIR

Assembly Instructions


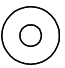




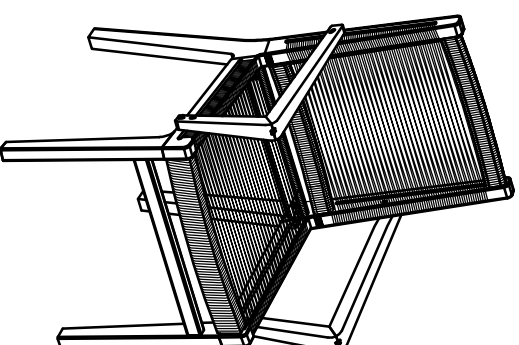
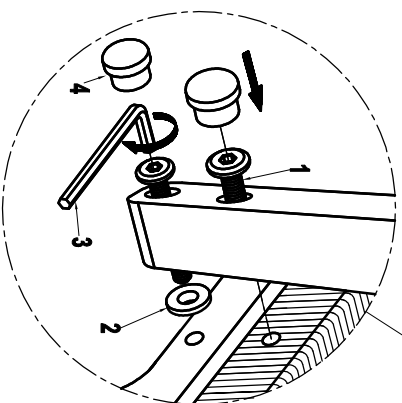
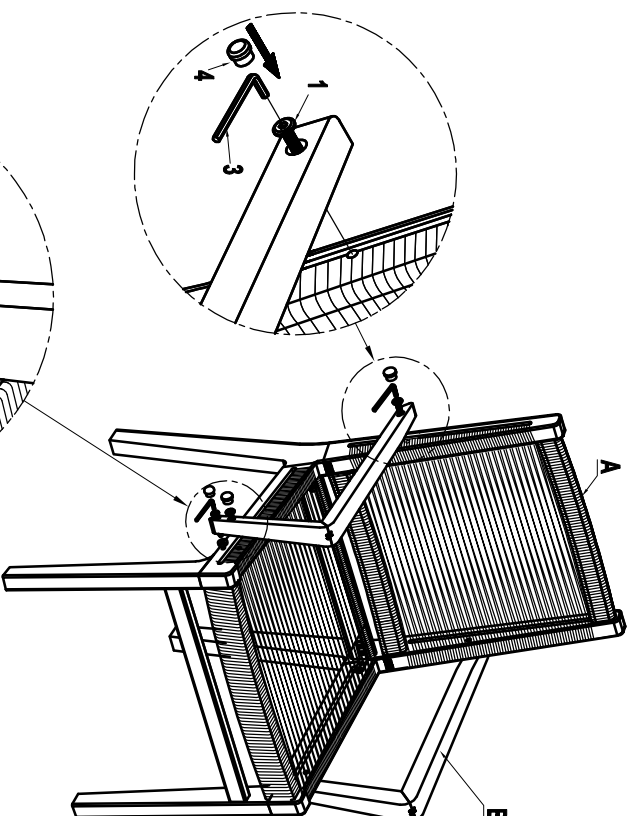
A x 1



B x 2 (LAR)

LIST OF HARDWARE

NO.	HARDWARE	QTY.
1	F-Bolt M6x55 	06
2	PLASTIC WASHER 	02
3	ALLEN KEY 	01
4	WOOD NUT 	06



WARNING!

DO NOT use this chair or table in any other way than it is intended. Tables are not designed or intended to be climbed on to, jumped on or stood on. All chair legs MUST remain on the ground surface at all times. DO NOT rock on back chair legs. Chairs are ONLY to be used for sitting on by 1 person at a time. ALWAYS supervise Children for safe use of furniture. FAILURE TO FOLLOW THIS WARNING CAN LEAD TO: SEVERE BODILY INJURY, DEATH OR LOSS OF PROPERTY