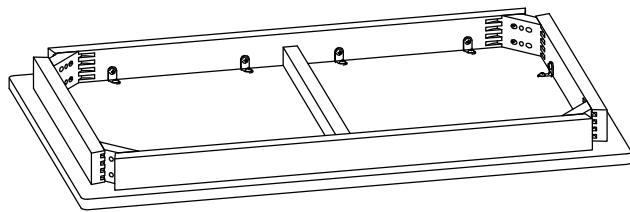
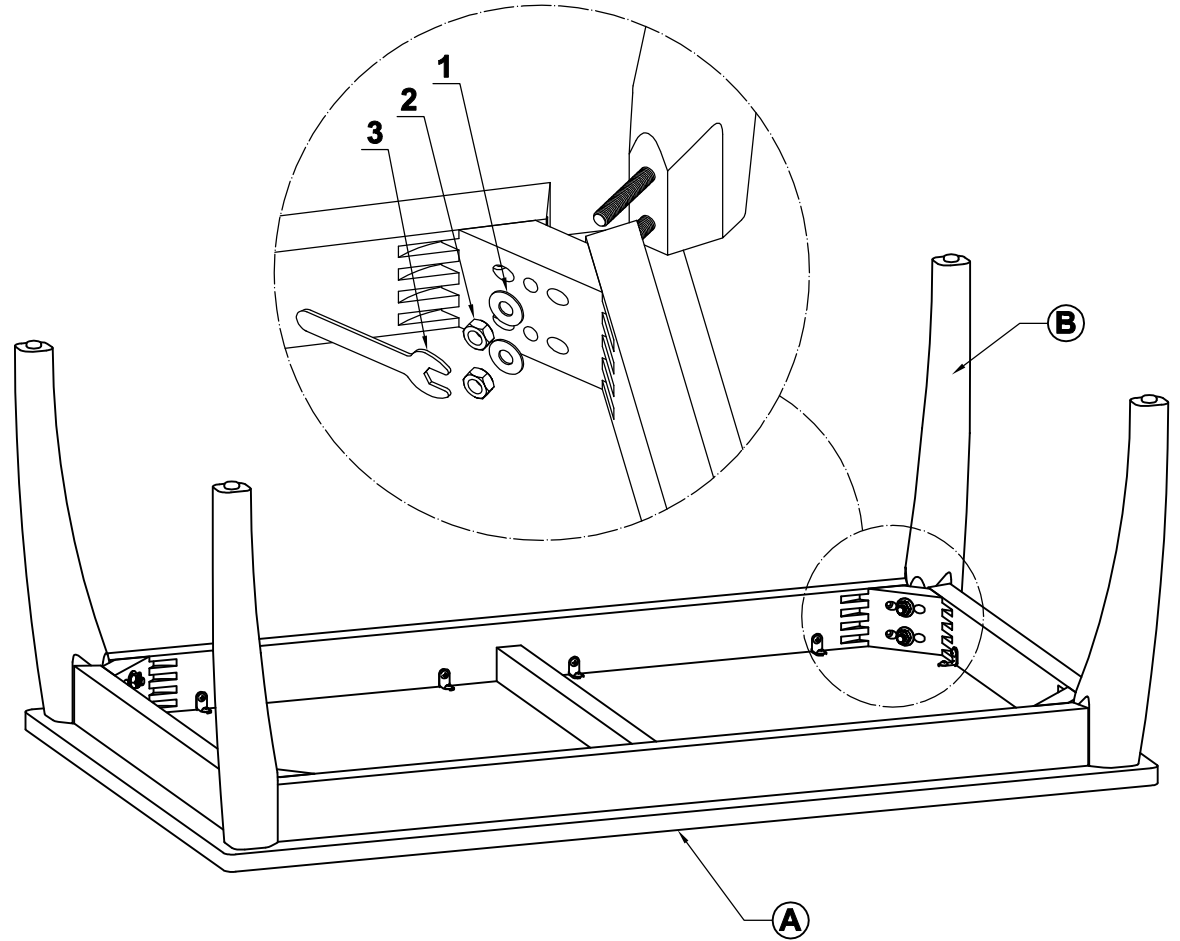
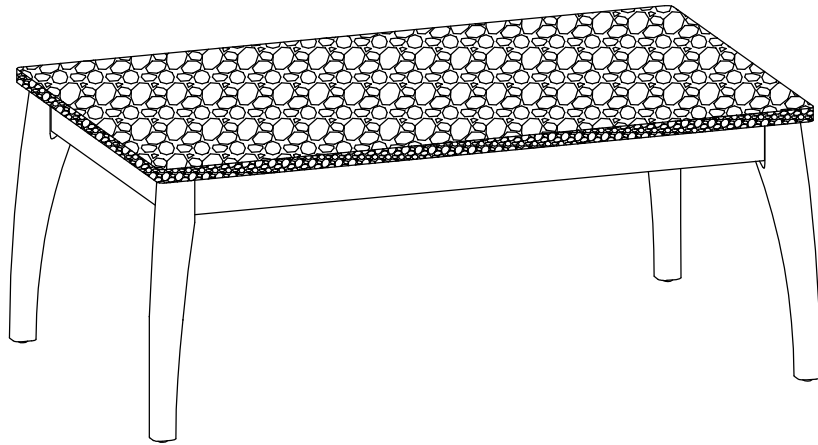




# Wings Collection - Coffee Table

## Assembly Instructions






**Ax1**



**Bx4**

### LIST OF HARDWARE

NO.	HARDWARE	QTY.
1	Washer 	08
2	Hex nut 	08
3	Spanner 	01