

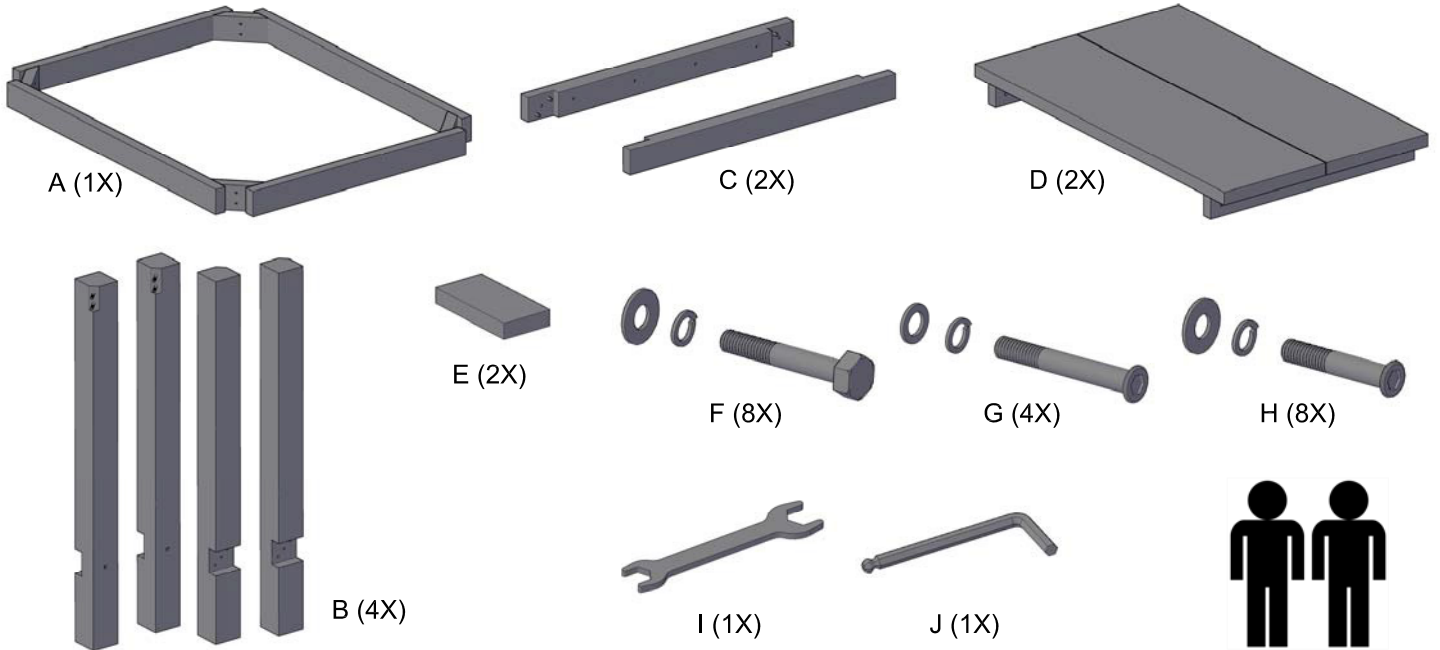
# MYKONOS GATHERING TABLE

## ASSEMBLY INSTRUCTION

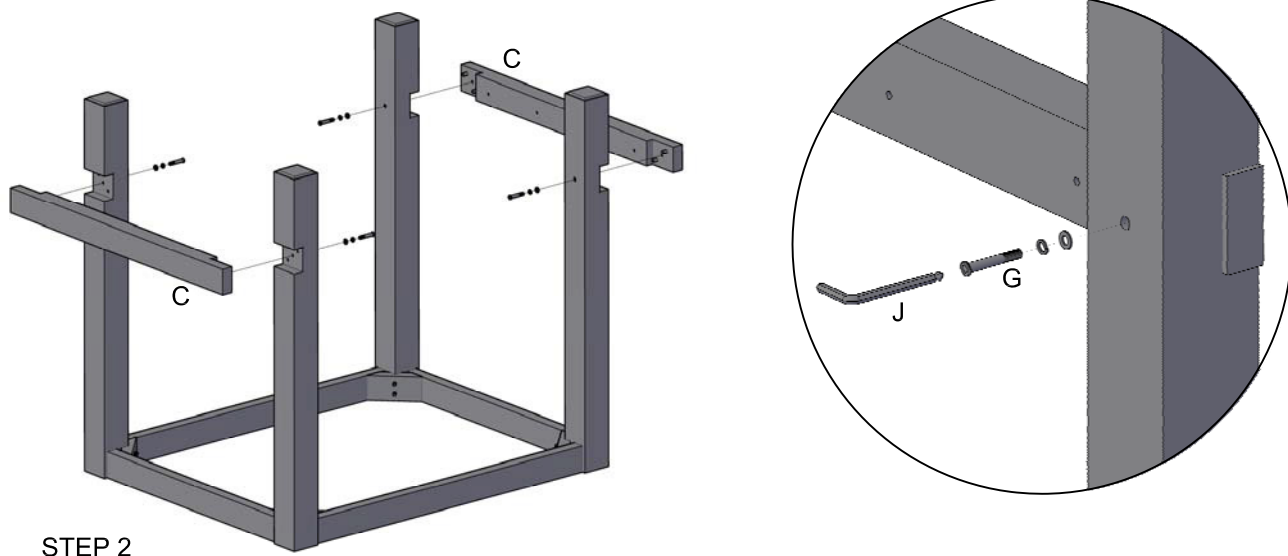
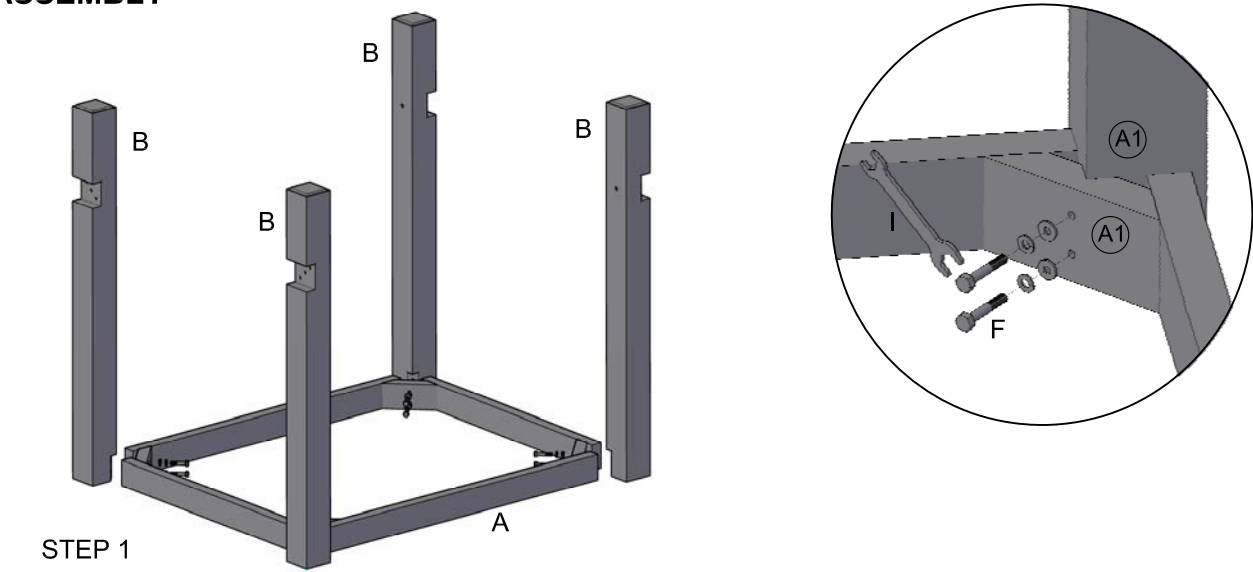


SEASONAL LIVING®

### PART LIST



### ASSEMBLY

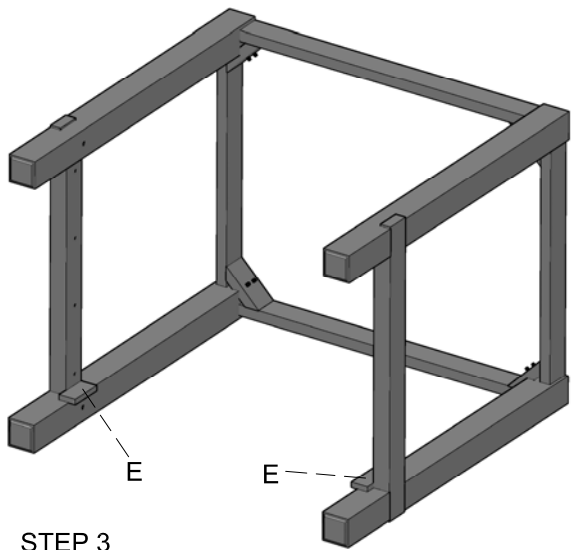


# MYKONOS GATHERING TABLE

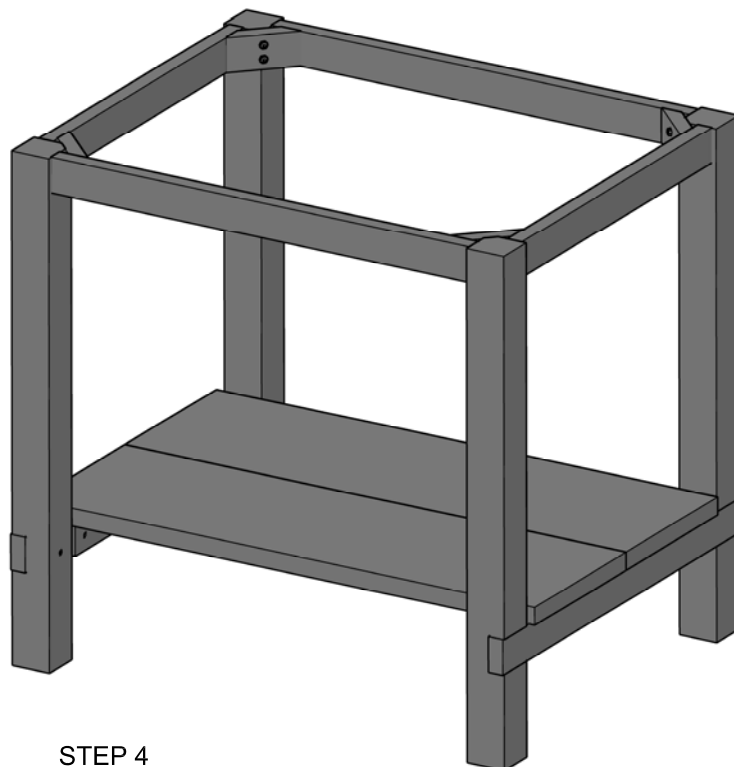
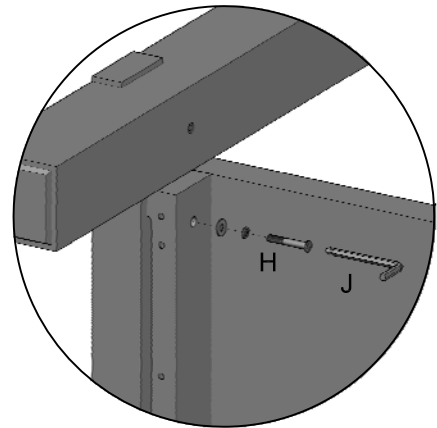
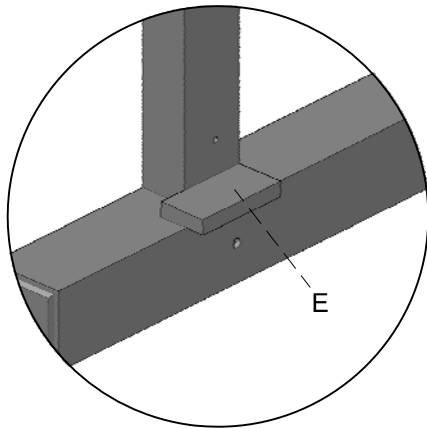
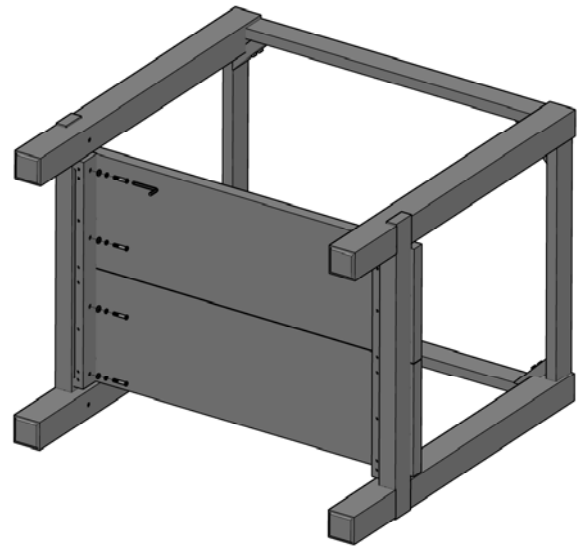
## ASSEMBLY INSTRUCTION



SEASONAL LIVING®



STEP 3



STEP 4