



SEASONAL LIVING®



iNDA
CORDLESS OUTDOOR LIGHTING

PRODUCT CARE INFORMATION

Updated January 2016

WE STRONGLY RECOMMEND USE OF HIGH QUALITY FURNITURE COVERS

The Seasonal Living® INDA Cordless Outdoor Collection is lighting for use in or outdoors. The lighting collection is comprised of 4 separate sets of components:

1. The lamp base—(currently available only in light-weight concrete and ceramic, other materials are being added to this collection)
2. The Polyethylene (PE) lampshade
3. The lamp shade components (structures to support the lampshade – constructed from anodized aluminum)
4. **A rechargeable LED light fixture with a separate charging plate). The LED recharging base/plate must only be used indoors in dry locations for recharging LED lights – check**

all wiring is in good condition before charging / recharging the LED Lamp and using the charging plate *READ, FOLLOW AND UNDERSTAND ALL MANUFACTURER'S INSTRUCTIONS BEFORE USE*

WIND CONDITIONS / WEIGHTING THE LAMP BASE

We recommend that during strong winds that you either re-locate the lamp in a protected space or add sand into the lamp base to further weight the base down to prevent it falling over. We are unable to provide you with a clear understanding of exactly how much sand to add as wind conditions will vary significantly – use common sense and watch your lamp in wind conditions to determine the degree of how much sand to add into the base of this lamp

HOW TO CARE FOR YOUR LIGHTWEIGHT CONCRETE LAMP BASE

Please follow these basic steps in assembling and protecting your lamp base:

- . 1) Be sure to read all assembly and related information, which is shipped with your product. **DO NOT ASSEMBLE THE PRODUCT IN ANY MANNER OTHER THAN INTENDED BY THE MANUFACTURER.**
- . 2) Always seek the assistance of another physically capable adult to assist you in assembling your products. Never try to assemble products on your own, you may hurt yourself and damage / damage or break your product.
- . 3) Never use the product for purposes other than what it was designed and manufactured for.
- . 4) When you receive your INDA Cordless Lamp (applies to concrete lamp bases only), we recommend that you immediately protect the surfaces of all concrete materials by following these simple instructions. Failure to do so will result in staining of the product and any claim against your product being void.

Remember: Concrete is a porous product and is prone to absorption of oils, acids and chemicals. Follow these steps to protect your product and maintain a good protective seal

YOU MUST USE EITHER A PRODUCT SUCH AS JOHNSTON'S FLOOR WAX (CONTACT SEASONAL LIVING FOR INFORMATION ON PERPETUAL FURNITURE PRODUCTS WHEN USING ANY PRODUCT OTHER THAN THE SEALER THAT WE SELL) OR OTHER WAX STONE SEALER OR USE THE SEALING SPRAY THAT SEASONAL LIVING CARRIES TO SEAL ALL OUTER SURFACES OF THE CONCRETE MATERIAL. IF YOU FAIL TO DO THIS, YOUR LAMP BASE IS PRONE TO STAINING AND IS NOT WARRANTED BY OUR MANUFACTURER'S LIMITED WARRANTY.

Look carefully inside your shipment. Included inside the box with the lightweight concrete

lamp base is a small sample bottle of sealer attached to a red piece of ribbon. Follow instructions on the side of the bottle.

Depending on where and how often you use your concrete lamp base product, we recommend more regular sealing (especially for outdoor use or heavy soiling from acid based and or oil based stains and liquids at least 3-4 times per year.

We recommend you use the sealing spray offered by Seasonal Living and spray or pour a reasonable amount of the sealer on to a cloth and working quickly coat all sides of your product. Allow the merchandise to dry fully for 24 hours before using your product. Finally, after 24 hours re-apply a light coat of the sealer for more protection. Remember to monitor the lamp base for stains, dirt etc., and regularly re-apply the sealer using a clean, soft cloth.

.PROTECT AGAINST SPILLS AND NATURE

Concrete is a porous product, while your sealing efforts will provide a good barrier, you must still protect your merchandise by being vigilant and we recommend that you follow these steps:

. A) If you spill any type of oil, grease, staining and or acidic-based juice or sauce (e.g. tomato sauce, lemon juice, vinegars etc.), wipe it up immediately. Do not allow the liquid to remain on the surface of the product. Concrete by its pure nature is a natural product and as such is prone to absorption. Act immediately and you will be able to enjoy your furniture for years.

. B) When not using the product we recommend that you protect the surface by storing it in a dry, protected space. This will help to ward off stains from trees, pollen, bird or other animal urine or fecal matter. Contact Seasonal Living for recommendations on covers.

. C)If you live by the ocean or a salt-water environment do not allow salt spray to build up on your product. Wipe it off or hose it down on a regular basis. Over time, salt can corrode your concrete product. Remember to regularly seal the product for more protection.

WINTER STORAGE OF CONCRETE AND CERAMIC LAMP BASES

While your concrete merchandise can withstand severe cold (Maximum cold resistance 5 degrees Fahrenheit or minus 15 degrees Celsius), you must follow these steps to further protect your merchandise:

Ideally, we recommend moving your concrete / ceramic lamp base into a sheltered location – away from where ice and snow can build up around or on top of the lamps. If this is not possible, we recommend that you cover the lamp with professional grade outdoor moisture preventing furniture cover and elevate your lamp off the ground 2-3 inches to allow for air circulation. **DO NOT ALLOW WATER TO BUILD UP BETWEEN THE FURNITURE COVER AND THE LAMP DURING FREEZING**

CONDITIONS THIS WILL FREEZE TO THE LAMP BASES AND CAN DAMAGE THE LAMP BASES.

Note: Plastic covers with no moisture wicking capability will freeze on to the side of the concrete lamp base and will damage the concrete.

HOW TO CARE FOR YOUR POLYETHYLENE LAMP SHADE

Your Polyethylene lamp shade is suitable for outdoor, normal every day weather conditions including, rain and sunshine. Over time, you may notice slight changes in the color of the lampshade, but this will occur gradually over a prolonged period. The lampshade has been treated with an ultra-violet inhibitor to protect the lampshade against the damaging rays of the sun.

If you notice dirt or dust on your lampshade, simply use a damp, clean, soft lint-free cloth or sponge to wipe away dust or nature's debris. For more difficult / stubborn stains, add dish soap to cool water and apply slight pressure to the stain or dirt to dislodge it. We do not recommend the use of harsh or abrasive solvents or cleaners or scrubbing pads/sponges.

HOW TO CARE FOR YOUR ANODIZED METAL LAMP SHADE FIXTURES

Your lamp shade supporting metal arms are manufactured from aluminum which is then specially "anodized" a process of coating the metal to resist corrosion and damage to the aluminum metal components.

To clean and protect anodized aluminum, follow these steps:

Cleaning anodized aluminum is easy with the right technique. Because anodizing is so hard, you want to use a cleaning technique with a gentle soap. Do not use harsh acidic or alkaline cleaners because they may destroy the finish. Use solvents with care as they may stain the finish. Regardless of the technique, be sure to try a test area first. One recommended technique is to use a medium to soft abrasive cleaning sponge with mild dish washing liquid. Always try a test small area first to make sure that you do not damage the protective anodized finish. All the anodized metal to dry naturally or use a soft dry cloth to buff and dry the metal components.

HOW TO CARE FOR YOUR LED LIGHT AND CHARGING PLATE

Your LED Light is the creation of many hours of testing and refining to create a beautiful golden glow in your INDA lamp. The LED light is ONLY intended to be used in conjunction with your INDA Lamp. Warranty is void for use in any other light fixture or when not used as shown in the Product Assembly Instructions / Diagrams.

IMPORTANT TECHNICAL INFORMATION REGARDING YOUR LED LIGHT

- Each LED light is completely sealed. Do not attempt to open or tamper with any part of the lighting casing – it is unnecessary and will Void any Manufacturer's Warranty associated with this product.
- Each LED light generates 3 Watts
- Lumens generated from Led light = 360
- Rechargeable LED light consists of 36 LEDS
- LED type 3014 SMD
- Battery certificate CE ROHS
- LED light is UV resistant – over time some slight fading and change to surface color may occur
- Each LED light can operate in wet and damp conditions
- Each LED light is water resistant – DO NOT place LED Light fixture in fish tanks or swimming pools or any other receptacle in which LED light is immersed below water
- LED light works in the following temperature range: Minus 4degrees Fahrenheit (-20 Celsius) to 104 degrees Fahrenheit (40 Celsius)
- After approximately 600 full re-charges, LED light battery capacity to hold charge drops by 20%
- LED light is activated / turned off by depressing button on underside of LED light
- Accompanying each LED light is a white sealed plastic charging plate with UL component electrical cord and USA 2 prong wall / mains socket plug
- Electrical plug input: 100-240V 50-60Hz

- Electrical Plug and wire UL rated – Class B
- Charging Plate Input: DC 7.5V
- Operating Current: 1A
- Charging Time: 6 Hours
- LED light operating time: 8 hours
- Use charging plate in indoor environments only – not suitable for full outdoor or wet or damp location exposure charging
- Charging plate will not charge LED lights at temperatures above 115 degrees Fahrenheit or below 30 degrees Fahrenheit
- When charging LED light, best operating environment temperature is between 10 degrees and 35 degrees Celsius / 50 degrees F – 113F
- Base of concrete floor lamp measures: 11 1/8" diameter
- Base of concrete table lamp measures: 8" diameter

- **CHARGING THE LED LIGHT**

1. Connect the electrical cord into the charging plate socket and connect the plug into a wall socket (check that your electrical source is to USA standards – voltage of AC 100V-240V)
2. Place the LED Light directly on top of the charging plate—make sure that they connect and the LED light sits evenly on the charging plate – if it is correctly positioned a red light will indicate in the LED light showing that the LED light is in charging mode
3. The LED light will turn blue when the LED light is fully charged

TROUBLE SHOOTING GUIDE FOR THE LED LIGHT & CHARGING PLATE

PROBLEM: LED LIGHT IS NOT BRIGHT

POSSIBLE SOLUTION(S):

1. Please put the LED light on to the charging plate. The Indicator light will turn red, it is charging. 30 minutes later, please try to turn on light again. If the light is brighter, then continue to charge the indicator light turns blue in the LED light (approx. 4-5 hours).
2. If after charging for 30 minutes the light is still not bright. Please contact your retailer or designer for a new charging base and plug.
3. If after using the replaced charging plate and plug the LED light is still not bright, please contact your retailer or designer for a new replacement LED Lamp.

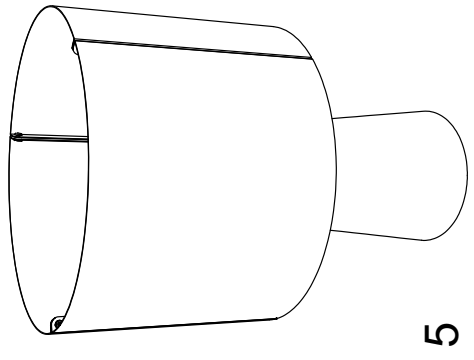
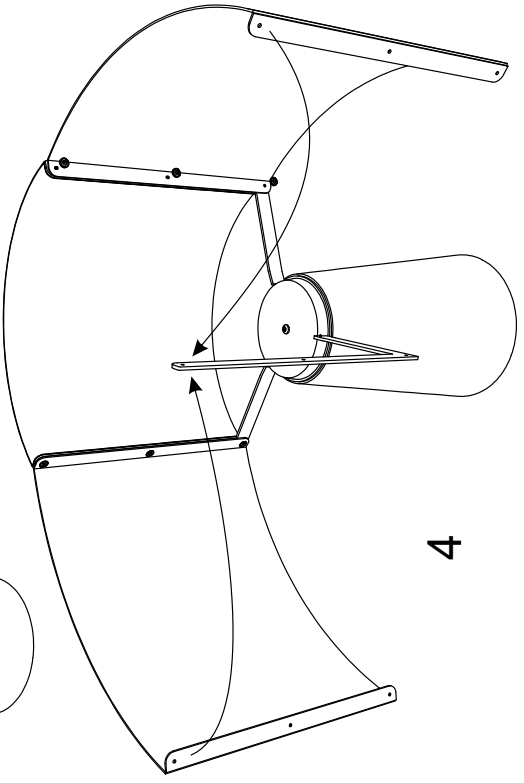
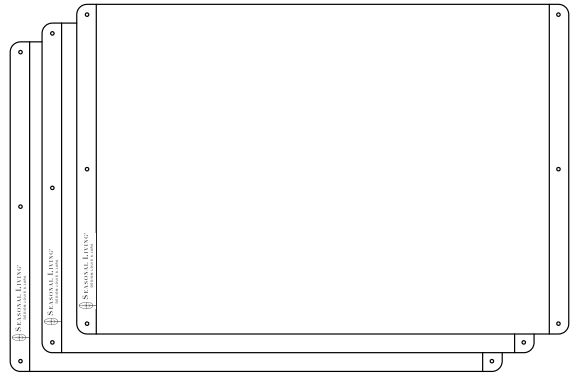
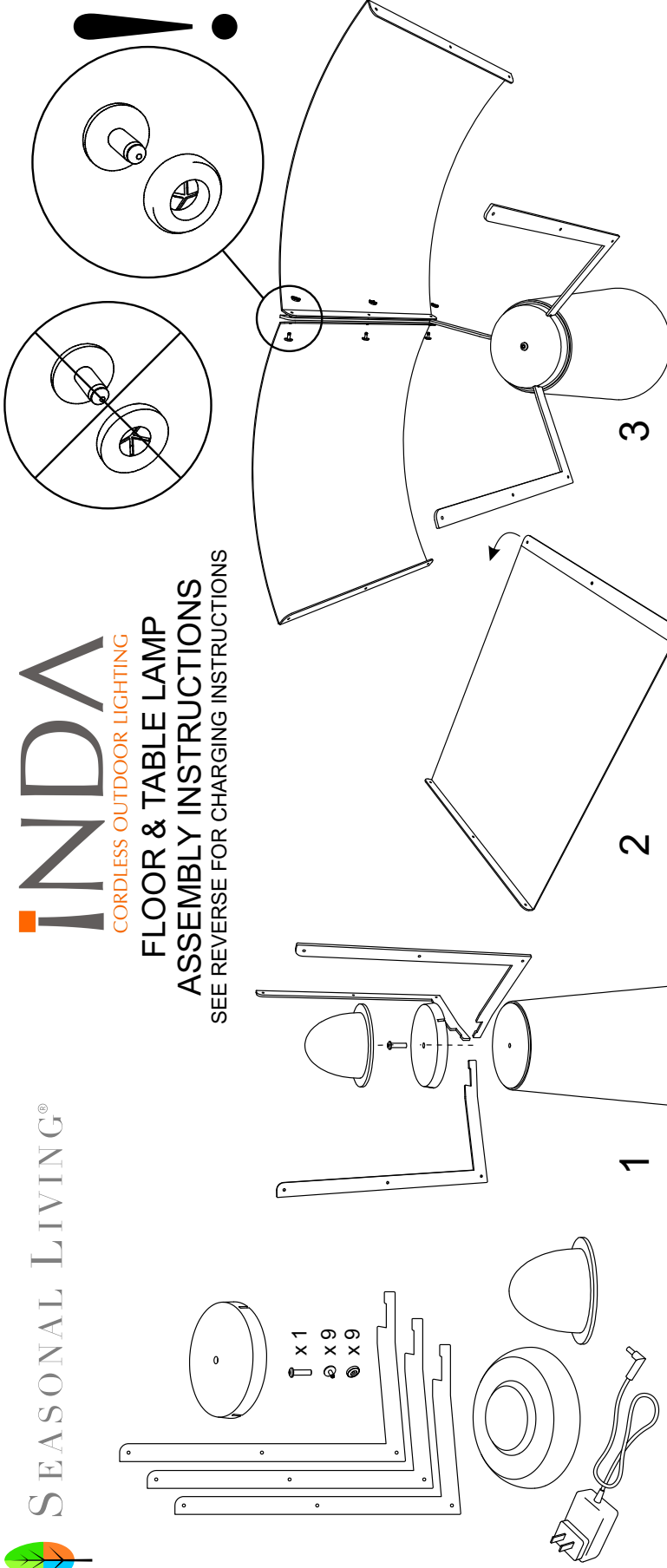
PROBLEM: THE CHARGING PLATE WILL NOT CHARGE THE LED LIGHT

POSSIBLE SOLUTION(S):

Check that the LED light and plug are in good working order. If the problem persists, contact us for a replacement charging base and plug

*SEASONAL LIVING – INDA CORDLESS OUTDOOR LAMP COLLECTION – PRODUCT CARE –
JANUARY 2016*

**FLOOR & TABLE LAMP
ASSEMBLY INSTRUCTIONS**
SEE REVERSE FOR CHARGING INSTRUCTIONS



IF ADDED WEIGHT IS DESIRED FILL WITH SAND WITH FUNNEL THROUGH HOLE ON TOP OF BASE BEFORE ASSEMBLY

U.S. AND INTERNATIONAL PATENTS PENDING