

PERPETUAL COLLECTION

ZANZIBAR FIRE COFFEE TABLE



USER & SAFETY OPERATION MANUAL



SEASONAL LIVING

TABLE OF CONTENTS

Dangers & Warnings	3
Using the Correct / Specified Ethanol Fuel....	6
Explanation of Warning Symbols.....	10
Parts List and Descriptions.....	12
Assembly & Operation.....	14
Care, Cleaning & Maintenance.....	23
Warranty	26

IMPORTANT - MAINTAIN AND KEEP THIS MANUAL IN A SAFE, DRY AND EASILY ACCESSIBLE LOCATION. DO NOT DISCARD THIS MANUAL AT ANY TIME.

WARNING!

YOU MUST READ & UNDERSTAND ALL THESE INSTRUCTIONS BEFORE YOU ASSEMBLE AND OR OPERATE THIS TABLE & ETHANOL BURNER. If you do not UNDERSTAND any part of these instructions DO NOT ASSEMBLE OR OPERATE ethanol Burner.



If the information and WARNINGS in this manual are not followed exactly, a fire or explosion may result causing property damage, SEVERE BURNS or DEATH



NEVER allow anyone to operate this ethanol burner device without them fully reading and understanding all warnings, dangers & operations



NEVER REMOVE WARNING LABEL from the ethanol burner surface. THIS LABEL IS INTENDED TO INSTRUCT YOU & OTHERS on basic burner & operation safety



MAKE SURE you assemble product as specified in this Owner's Manual



ONLY use a long-stemmed kitchen / BBQ lighter to light burner.
NEVER use a cigarette lighter or matches to light fire



Only use ethanol liquid fuel as specified in this Owner's Manual –
NEVER use more than 1.0 liters of ethanol fuel for each burning session.
Do not store any fuel near burner at any time



DANGER: NEVER RE-FUEL or ADD ethanol fuel to the burner once it is lit OR HOT.



WHAT TO DO IN THE EVENT OF UNCONTROLLABLE FIRE:

1. Use rapid cooling spray Cool It™ specifically designed to rapidly cool burner & fire guard and / OR
2. Ethanol fire extinguisher – MAKE SURE YOU USE CORRECT FIRE EXTINGUISHER FOR ETHANOL LIQUID FUELS.

Do NOT place yourself in harm's way. Notify others and evacuate premises immediately. Call Fire department / Emergency Services Do NOT light fire leaning over the top of the Ceram Glass Safety Guard and bio-ethanol burner device (See diagram for this)

DANGERS and WARNINGS: FOR YOUR SAFETY

GENERAL WARNINGS

FOR OUTDOOR USE ONLY – DO NOT SIT or STAND ON TABLE

Warning – For your Safety: If the information in this instruction manual is not followed exactly, a fire or explosion may result causing property damage, personal injury or loss of life.

IMPORTANT NOTICE: Read and understand all Warnings and Precautions prior to assembly of your ethanol burner. **Make sure you closely follow instructions and observe warnings as stated in this User Manual** and on specified ethanol fuel at all times for your and others safety.

NOTE: The use and installation of this product must conform to local, state and federal codes.

NOTICE: BUYER ASSUMES ALL RESPONSIBILITY FOR SAFETY AND USE THAT IS NOT IN ACCORDANCE WITH INSTRUCTIONS AND WARNINGS

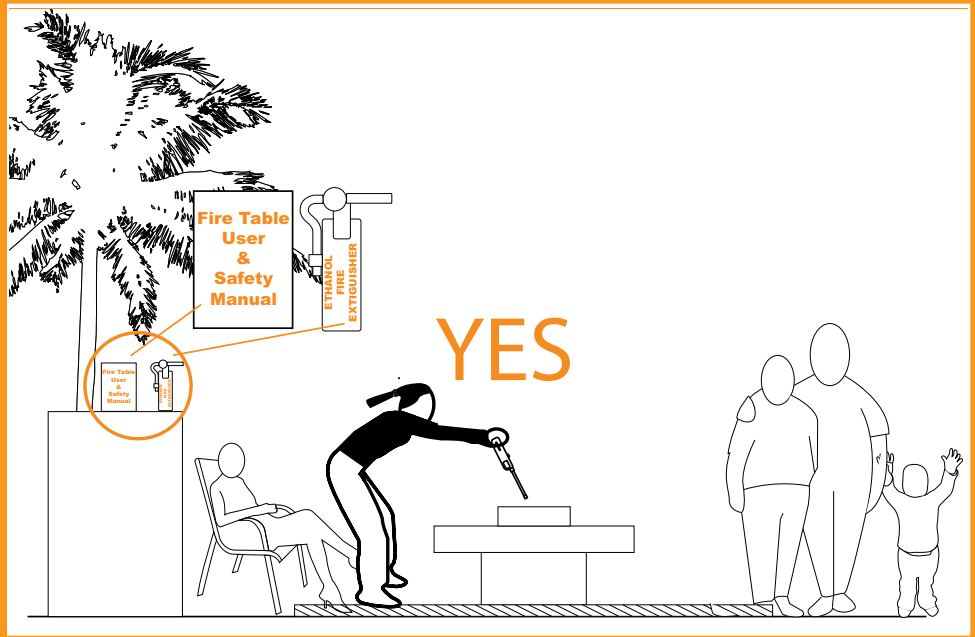
Minimum Clearance From Unit to Combustible Construction: 80” (2.0M) from the top: 48” (121.9cm) from all sides and back. **DO NOT** locate this appliance under overhead unprotected combustible surfaces.

- Improper installation, adjustment, alteration, service or maintenance can cause injury or property damage. Read the installation, operation and maintenance instructions thoroughly **BEFORE INSTALLING** this unit and ethanol burner device
- Keep the instructions for future reference. If you are installing this unit for someone else, give this manual to him or her to read and keep for future reference.
- The ethanol burner shall **ONLY** be used in conjunction the concrete table it is shipped with (replacement burners must also **ONLY** be used with original concrete table).
- **Do NOT** use this outdoor ethanol burner for indoor heating.
- Never **LEAVE** this ethanol burner burning without a responsible adult being in permanent attendance.
- Always discuss with all children the importance of fire safety and the dangers associated with fire and extreme heat generated from the ethanol burner (and the Ceram Glass Safety Guard) – The ethanol burner and Ceram Glass Safety Guard become hot very quickly once the ethanol burner device is lit.
- **NEVER** permit children or pets to play on, near or around the coffee table, the ethanol burner and the Ceram Glass Safety Guard at any time.
- **ALWAYS** inspect the ethanol burner and Ceram Glass Safety Guard **BEFORE** using it – The ethanol burner must always be in good condition (No dents, holes, leaks etc). Check for **and remove** debris and any other foreign material (such as spider webs or nests) in the fuel tank reservoir and **ALWAYS** check the bi-ethanol Ceram Glass Safety Guard for chips, cracks or breaks **EVERY TIME** before you light the ethanol burner. **NEVER** use the ethanol burner and/or the Ceram Glass Safety Guard if any part is in any way damaged.
- If the ethanol burner or Ceram Glass Safety Guard appears flawed or damaged it must be replaced before the ethanol burner is used. If you suspect that the ethanol burner or Ceram Glass Safety Guard is compromised in any way do **NOT** use or light the ethanol burner at all. An ethanol burner and Ceram Glass Safety Guard specified by the manufacturer can only replace the ethanol burner and Ceram Glass Safety Guard that you purchase or is shipped to you. Contact the original store or design firm from who you purchased this product.
- **MAKE SURE** once the ethanol burner has been extinguished and the ethanol burner has been closed that children and pets are not permitted within the vicinity of the table, ethanol burner and Ceram Glass Safety Guard for **AT LEAST 1 hour (60 minutes)**.
- **Do NOT** operate, light or use the ethanol burner within 8 feet of combustible walls, structures or buildings.
- Storage and location of the concrete table with the ethanol burner is permissible only when the ethanol burner is not in use and there is **NO** ethanol liquid stored in the ethanol fuel reservoir tank.
- **Do NOT** place any combustible materials (including but not limited to table decorations) within 48” (121.9cm) of the liquid ethanol burner. Keep the ethanol burner and table at least 80” (2.0M) away from curtains, tents or draperies.
- **The ethanol burner device must ONLY use the specified and recommended ethanol liquid fuel WITH SAFETY-POUR™ technology (see section in this User Manual regarding specified fuel). DO NOT USE ANY OTHER TYPE OF FUEL – THIS IS EXTREMELY DANGEROUS AND HAZARDOUS. FAILURE TO FOLLOW THIS INSTRUCTION COULD LEAD TO AN EXPLOSION, UNCONTROLLABLE FIRE, SEVERE BURNS AND OR DEATH**
- **Do NOT** toast or cook any type of food over a lit ethanol burner. Not only is ethanol liquid fuel a toxic liquid, cooking or toasting food over a lit ethanol burner can result in the food dropping or falling into the ethanol burning device. This may lead to the person cooking to want to lean over or retrieve the food – **Do NOT** allow this action.
- **DO NOT** store any combustible materials in the table concrete base enclosure.

DANGERS and WARNINGS: FOR YOUR SAFETY

- The use of alcohol, prescription or non-prescription drugs may impair an individual's ability to properly assemble or safely operate this outdoor ethanol burner.
- DO NOT operate the ethanol burner in an explosive atmosphere. Keep the ethanol burner / table clear and free of combustible materials, gasoline and other flammable vapors and liquids – this includes ethanol liquid fuel.
- This ethanol burner and Ceram Glass Safety Guard is NOT to be touched or operated AT ANY TIME by children. Young children need to be very closely supervised when in the vicinity of this ethanol burner
- and Ceram Glass Safety Guard. NEVER leave an unsupervised child alone near a lit burner and/or a hot burner or Ceram Glas Safety Guard.
- The ethanol burner is not to be installed or used in or on recreation vehicles and / or boats.
- Always use in accordance with all applicable local, state and national codes. Contact your local fire department for details on outdoor burning. Observe and closely follow burn bans and all associated warnings at all times.
- Use the same precautions you would with any open fire when operating the ethanol burner device.

ALWAYS BE AWARE OF YOUR SURROUNDINGS, BE VIGILANT AND ALWAYS WATCH OUT FOR UN-SAFE ACTIONS OR BEHAVIORS OF OTHERS WHEN THE BURNER IS IN OPERATION



UNSAFE, CARELESS BEHAVIOR AROUND ANY TYPE OF FIRE IS EXTREMELY DANGEROUS - DO NOT PUT YOURSELF / OTHERS IN HARM'S WAY



DANGERS and WARNINGS: FOR YOUR SAFETY

- Do NOT burn solid fuels such as: paper, wood, charcoal briquettes, lump charcoal, driftwood, trash, leaves, cardboard, plywood or stained or pressure treated wood with this ethanol burner.
- Do NOT alter the ethanol burner or the concrete table in any manner.
- Do NOT use / light this outdoor ethanol burner until it is COMPLETELY assembled and all parts are securely positioned.
- Do NOT store or operate a liquid propane (LP) gas tank within 10 feet (3.05M) of this outdoor ethanol burner table while it is in operation.
- Do NOT use this ethanol burner near automobiles, trucks, vans or recreational vehicles.
- Avoid using near or under overhanging trees and shrubs.
- Always use this outdoor ethanol burner on a hard, level, non-combustible surface such as concrete, ceramic tile, rock or stone. An asphalt or blacktop surface may not be acceptable for this purpose.
- Do NOT use this outdoor ethanol burner if any part of it contains rain or other water.
- Do NOT wear flammable or loose clothing when operating this outdoor ethanol burner.
- Make sure you ALWAYS tie back long hair when lighting or extinguishing the ethanol burner.
- Do NOT smoke while setting up, lighting or extinguishing the ethanol burner. Never leave lighters or matches on the table or close to the ethanol burner.
- Do NOT use or operate the ethanol burner in windy conditions. Sudden and strong wind gusts can cause fire to become uncontrollable which can lead to a dangerous operating environment. If wind picks up and you notice that fire appears to be exceeding Ceram Glass Safety Guard, either use a fire extinguisher specifically designed / rated for use with ethanol fires or safe to do so, close fire vent using the fire hook.
- Do NOT overfill the ethanol burner with liquid ethanol fuel. Using a metal funnel (not supplied with this table and burner) we strongly recommend that you only fill the burner with 1.0 liter of ethanol fuel per burning session. AVOID THE TEMPTATION TO FILL FUEL TO THE TOP OF THE BURNER, THIS IS UNSAFE AND DANGEROUS.
- Keep all electrical cords away from a hot outdoor ethanol burner.
- Certain areas of this ethanol burner and table when in use will become too hot to safely touch. DO NOT touch any glass or burner surface until the burner has been extinguished and allowed to cool down for at least 30 minutes. **WARNING: BE VERY CAREFUL, DO NOT PUT YOURSELF OR OTHERS AT RISK**
- Do NOT hang or place clothing or other flammable materials on or near the outdoor ethanol burner.
- Do NOT attempt to move or store this ethanol burner and the table until ALL parts are cool to the touch. Doing so is extremely dangerous.
- Do NOT leave or store any ethanol liquid fuel in the burner tank reservoir for any period of time unless you are planning on using the ethanol burner within the next 30 minutes.
- Do NOT throw anything into the ethanol burner when the unit is in operation / lit or burning.
- Do NOT place yourself, others and property at risk – Always think of SAFETY at ALL times.
- Should the ethanol fire become uncontrollable, call the Fire Department / Emergency services. Warn others and evacuate to a safe location. Do NOT put yourself or others in harm's way trying to tackle an out of control fire.
- **DO NOT ALLOW OTHERS TO OPERATE THE ETHANOL BURNER UNLESS THEY HAVE READ AND FULLY UNDERSTAND HOW TO SAFELY OPERATE THE ETHANOL BURNER SO AS TO AVOID LOSS OF PROPERTY, SEVERE BURNS AND / OR DEATH.**
- Do NOT remove the following adhesive safety Warning label from any part of the ethanol burner. These permanent Warning labels and other information codes (e.g. QR Codes (Quick Response) or Internet Website URLs are intended (along with this manual) to provide information to help you correctly assemble, operate and protect yourself, others and property from danger. *Should you require replacement Warning Labels, contact your retailer or designer who sold this product to you.*

WARNING:

Failure to read, understand & closely follow ALL Instructions and Warnings can cause Uncontrolled Fire, Loss of Property, SEVERE BURNS and / or DEATH.



- For OUTDOOR USE only- DO NOT use in Windy Conditions
- ONLY use specified ethanol fuel-See User Manual
- ONLY light fire using long-stemmed BBQ/Kitchen Lighter. Do NOT use matches or cigarette lighter
- NEVER leave fuel near burner. Store fuel safely.
- NEVER permit children/pets to touch or play near fire table
- DO NOT overfill fuel tank-Fill according to level defined in User Manual

- EXTREME DANGER - NEVER add fuel to burner while it is Lit or HOT & for at least 30 minutes AFTER fire vent is CLOSED
- NEVER operate burner without protective glass guard in place
- Glass guard becomes HOT quickly-NEVER touch glass during operation or for 30 minutes AFTER fire vent is closed
- If fire becomes uncontrollable: Exit area quickly and call Fire Dept.
- Always APPROACH fire burner with EXTREME CAUTION and care
- Visit Website at: <http://seasonalliving.com/qr/fire-coffee-table> for more detailed Safety and Operation instructions



Use Smart Phone to Scan QR CODE for More Safety info

NEVER REMOVE THIS WARNING TAG. THIS TAG IS INTENDED FOR YOUR & OTHERS SAFETY

Bio-Ethanol Liquid Fuel Dangers, Warnings & Fuel Specification

DANGER – BIO ETHANOL LIQUID FUEL SAFETY

This outdoor table and burner is for use with ethanol liquid fuel only. No other fuel is acceptable.

READ, UNDERSTAND & CLOSELY FOLLOW all Warnings and Danger signs and notices and closely follow ethanol manufacturer's instructions prior to use. This fuel is highly flammable and should be treated with caution at all times. View labels on following pages that provide instruction as to how to safely use this type of fuel – for additional safety information, visit manufacturer's website at: www.SmartFuelProject.com/Safety

WE RECOMMEND THAT YOU ONLY PURCHASE AND USE THE FOLLOWING ETHANOL FUEL DUE TO ITS SAFETY-POUR™ TECHNOLOGY.



DANGER!

WARNING :: DANGER, FLAMMABLE LIQUID & VAPOR.
Keep away from all sources of ignition. Contents are dangerous and highly flammable. NEVER pour fuel into an open flame or a hot burner. Improper handling can result in injury or death. Store in a cool dry area + keep out of the reach of children.
USE WITH EXTREME CAUTION!



CAN BE EXPLOSIVE IF NOT HANDLED CORRECTLY.
Use only as directed for ventless fireplaces designed to burn liquid bio-ethanol fuel. SMARTFUEL™ can be used with any brand of fireplace. Always follow recommended procedures provided by fireplace manufacturer.
NEVER add fuel to a burning fire and always allow burner to cool down completely (cool to the touch) before pouring in more fuel. Be extremely careful, you cannot be too cautious...use common sense.

ADDED SAFETY MEASURES ::
Safety-Pour™ Technology - All SMARTFUEL™ bottles are filled with a patent-pending Safety Pour™ insert to prevent accidental ignition of the fuel inside the bottle.

DO NOT REMOVE SAFETY-POUR™ INSERT!
Removal may result in INJURY or DEATH.
Bitterant :: To deter children and pets from ingesting the fuel, the extreme bitterant BITR™ has been added.

CHEMICAL EMERGENCIES - Call Chemtrec, 24/7 800.424.9300 (when calling Chemtrec for a spill, fire, exposure or accident, refer to SMARTFUEL™ for Ventless Fireplaces.

SMARTFUEL™...the greenest fuel you can buy
Shipping Name: Ethanol Specialty Fuel / Hazard Class: 3
Lumina Products Inc./ 910.805.4088
301 South Henry Street, Stoneville NC 27648
www.luminaproducts.com
© 2015 SmartFuelProject.com

DANGER! FLAMMABLE ETHANOL

DIRECTIONS FOR SAFE USE ::

Read ALL safety instructions pertaining to the use of this fuel and your fireplace. Keep a fire extinguisher and/or SMOFFREFAST™ nearby anytime you are burning ethanol fuel.

Use only as directed for ventless fireplaces designed to burn liquid bio-ethanol fuel. SMARTFUEL™ can be used with any brand of fireplace. If fuel is spilled, wipe it up and allow the area to dry before lighting the fireplace.

NEVER add fuel to a burning fire or hot burner.

READ MANUFACTURERS SAFETY DATA SHEET PRIOR TO USE:
Complete Safety Information and MSDS is available online at: www.SmartFuelProject.com/Safety

STORAGE & HANDLING - Keep tightly sealed in a cool, dry place and out of the reach of children. Do not expose to direct sunlight or source of ignition.

SMARTFUEL™ is the cleanest burning, environmentally safest fuel you can buy. There are no toxic burners. The only emissions are water vapor and small amounts of CO2.

SMARTFUEL™ is a recycled, sustainable fuel! Our ethanol fuel is not from corn, beets, sugar cane or any food product, rather, it is made from recycled waste materials that would otherwise end up in our landfills.

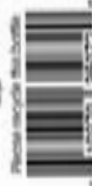
Lumina Products Inc makes socially responsible fuels for a variety of industries. You cannot buy a cleaner burning, lower carbon footprint ethanol fuel anywhere in the USA, or in the world for that matter.

DANGER :: CAN BE EXPLOSIVE IF NOT HANDLED CORRECTLY.



RECYCLE THE SAFETY-POUR™ INSERT

RECYCLE THE BOTTLE



Made in the USA

DANGER
FLAMMABLE / IRRITANT

SMARTFUEL™...Clean Burning / Non-Toxic
1.06 Quarts :: 1 Liter :: Made in USA



Use Only For
Indoor or Outdoor
Ventless Fireplaces



WORLD'S FIRST + ONLY SAFETY-POUR BOTTLE



E₀100 ETHANOL



00-00-01-000

Bio-Ethanol Liquid Fuel Dangers, Warnings & Fuel Specification

Under this cap
**SAFETY•POUR
TECHNOLOGY**
**PREVENTS FLAMES
FROM ENTERING BOTTLE**
**REDUCES RISK OF
FLASH + EXPLOSIONS**
Always Use with Caution



ETHANOL FUEL FOR USE WITH YOUR OUTDOOR ZANZIBAR COFFEE TABLE

SMARTFUEL™ features exclusive patent-pending 'SAFETY•POUR™' technology, the first in the industry; it provides the safest possible flash-free transfer of fuel from the bottle into the fireplace tank.

SMARTFUEL™ is 'Planet-Friendly' and suitable for use outdoors, as no harmful fumes are generated when burning - only small amounts of CO² and Water Vapor... no soot or smoke, no smell, and no residue. It's the only recycled ethanol fuel available, making it the 'Greenest Choice' Ethanol.

SMARTFUEL™ contains BITR™ bitterant to prevent accidental ingestion by children and small animals.

SMARTFUEL™ is Laboratory Tested and Certified for both its 'SAFETY•POUR™' technology, and its clean, toxic free exhaust ... providing consumer 'peace of mind'. Laboratory Certification & MSDS are available online.

SMARTFUEL™ is Made in the USA.

SMARTFUEL™ = YOUR SAFETY IS OUR FIRST CONCERN.

- Never pour fuel into a lit fire or into a burner that is near a source of ignition.
- Never pour fuel onto hot surfaces. Allow burners to cool at least 20 minutes (cool to the touch) before refilling.
- Store SMARTFUEL™ in a cool place, away from direct sunlight or heat source.
- Never let Children handle fuel or operate fireplace or burner.
- Always read & follow manufacturers operating and safety instructions prior to use.
- We do our best to ensure your safety by delivering our fuel in the safest possible package while providing as much safety information as possible on the label and on our website. But in the end, it is You, the User, that must use this dangerous fuel in a safe and responsible manner. Be very cautious and use common sense.
- Failure to follow safety instructions may lead to **SERIOUS INJURY** or **DEATH**.

Be smart!...and as safe and green as you can be with SMARTFUEL™ Ethanol.

Contact Lumina Products Inc for more information.

info@luminaproducts.com
p. 910.805.4058
w. www.luminaproducts.com

Available to the trade:
Send dealer Inquiries to:
dealer@luminaproducts.com

Bio-Ethanol Liquid Fuel Dangers, Warnings & Fuel Specification

WE RECOMMEND THAT YOU ORDER THE FOLLOWING PROTECTION PRODUCTS:

STOPFIRE!FAST - SUPPLEMENTAL, PERSONAL FIRE EXTINGUISHER

Always plan on having an up to date fire extinguisher close by for immediate use in extinguishing small to medium sized fires BEFORE they become uncontrollable. The STOPFIRE!FAST is a personal fire extinguisher that provides you with a convenient rapid response supplemental fire fighting tool to take control of fire fast. This simple and easy to use fire extinguisher is effective in fighting most small to medium household fires (this includes Ethanol liquid fuel fires). Just point the aerosol can towards the fire and push the button to extinguish the fire FAST! The extinguisher instantly suffocates small fires with a chilling and encapsulating foam that inhibits re-ignition and by rapidly stealing away heat many times faster than water further inhibits re-ignition. NOTE: THIS PRODUCT DOES NOT REPLACE THE NEED FOR NFPA 10 CONVENTIONAL FIRE EXTINGUISHER, IT IS A SUPPLEMENTAL PERSONAL FIRE FIGHTING SPRAY TOOL DESIGNED TO PUT OUT SMALL FIRES QUICKLY.

COOL IT™ is a rapid chilling and wetting agent. It can be used to cool metal surfaces and ethanol burners of all types. Combined with following device manufacturer's instructions and warnings, **COOL IT™** will dramatically reduce the risk of a dangerous flash fire when refueling while allowing for a shorter wait time between refueling when continuous burning is desired. The Trigger-Spray Bottle takes advantage of the unique rapid cooling properties of **COOL IT™**. A few sprays of **COOL IT™** into the ethanol burner will ensure the flame is out. Then a few more sprays on the surface of the burn chamber and into the tank will cool a tank in seconds from temperatures over 500°F to lower than 100°F. Together these results greatly reduce the chance of a dangerous flash fire.

Both **STOPFIRE!FAST™** and **COOL IT!™** have the advantages of foam and dry chemical without the mess, toxic risk to the user, specialized apparatus or contamination to the environment. Earth Friendly ingredients are derived from plant material; No special handling or clean up is required...if necessary, just use a paper towel to wipe up. Complete safety information and MSDS are available on line.

ADDITIONAL ITEMS THAT YOU NEED TO PURCHASE TO SAFELY OPERATE THE ETHANOL BURNER:

- Plastic or preferably **metal funnel** to allow ethanol fuel to be safely dispensed from ethanol fuel bottle into ethanol burner <http://www.toolfetch.com/fuel-transfer.shtml>
- A **long-stemmed BBQ or Kitchen lighter** with preferably a flexible lighting hose that permits you to light the burner through the Ceram Glass Safety Guard safety vent access hole (see operation drawings for more information). A possible source for this product is through the Internet: <http://www.kitchenstuffplus.com/399-.aspx> <http://www.Amazon.com> (Search for flexible grill lighter)

HOW TO ORDER THIS FUEL AND OTHER SAFETY FUEL RELATED PRODUCTS

CONTACT LUMINA PRODUCTS INC.
301 South Henry St. • Stoneville NC 27048
910.805.4088
dealer@luminaproducts.com
www.luminaproducts.com

HOW TO ORDER

SMART FUEL(TM) - STARTER PACK - This starter pack consists of:

- 1.0 litre ethanol Smart Fuel™ with Safety-Pour™ technology - 4 bottles
- 1 x STOPFIRE!FAST™ supplemental personal fire extinguisher - 15.5 oz
- 1 x Cool It!™ trigger spray bottle - 16 fl oz






SMART FUEL - FUEL PACKAGE OPTIONS

- Smart Fuel™ 6 pack - 6 x 1.0 liters of Smart Fuel with Safety-Pour™ Technology
- Smart Fuel™ 12 pack - 12 x 1.0 liters of Smart Fuel with Safety-Pour™ Technology



Explanation of Danger & Warning Signs and Symbols

The following Warning symbols and labels are intended to help you understand and look out for hazards and dangers. Read and look for all these Warning symbols. Understand the importance of each warning and symbol and be on the look out for each as you check your product parts list and on parts of your ethanol burner, on the Ceram Glass Safety Guard and on the specified ethanol fuel you purchase

 <p>WARNING WARNING</p>	<p>A triangle indicates caution or danger. A triangle with a colored background and an exclamation mark (or point !) is intended to indicate the importance of extreme caution and is intended to warn the user of the possibility of bodily injury or even death in the event that warning / installation and operation notices and or instructions are not closely followed.</p>
 <p>FIRE HAZARD</p>	<p>A triangle with an orange background is intended to indicate that the product is extremely flammable and used incorrectly, a fire hazard. Be extremely cautious and take WARNING that failure to follow detailed instructions either with operation or use of fuel can result in uncontrollable fire</p>
 <p>EXPLOSIVE HAZARD</p>	<p>A triangle with an orange background and explosive icon is intended to indicate product if not handled according to detailed instructions has potential to explode and cause severe burns, bodily injury and or death</p>
 <p>DO NOT ADD FUEL WHILE STILL BURNING</p>	<p>THIS PRACTICE IS TOTALLY FORBIDDEN – Adding fuel to a live fire is extremely dangerous and can cause explosions, flashback fire, uncontrollable fire, SEVERE BURNS AND OR DEATH – NEVER ADD FUEL TO A LIT OR BURNING BURNER AT ANY TIME DOING SO PUTS YOU AND OTHERS AT SERIOUS RISK OF INJURY. Once you have started a fire you MUST NOT ADD ANY FUEL until 30 minutes have passed with the burner fuel vent being completely closed</p>
 <p>DO NOT ADD FUEL WHILE STILL WARM</p>	<p>Adding fuel to a burner that is HOT or WARM is TOTALLY PROHIBITED – this is extremely dangerous and can cause explosions, flashback fire, uncontrollable fire, SEVERE BURNS AND OR DEATH – NEVER ADD FUEL TO THE BURNER WHILE IT IS HOT OR WARM AT ANY TIME. WAIT FOR AT LEAST 30 MINUTES WITH BURNER VENT FULLY CLOSED AND BURNER IS COOL BEFORE ADDING ANY FUEL</p>

Explanation of Danger & Warning Signs and Symbols

NEVER TOUCH THE CERAM GLASS SAFETY GUARD ONCE THE ETHANOL BURNER HAS BEEN LIT. THE GLASS BECOMES EXTREMELY HOT VERY QUICKLY AND CAN LEAD TO SEVERE BURNS AND POSSIBLY DEATH. DO NOT TOUCH THE GLASS FOR AT LEAST 30 MINUTES AFTER THE ETHANOL BURNER HAS COMPLETELY BEEN SHUTDOWN AND ALL ETHANOL BURNER VENTS ARE CLOSED. APPROACH THE CERAM GLASS SAFETY GUARD AND ETHANOL WITH EXTREME CAUTION BEFORE TOUCHING THE GLASS GUARD. USE COMMON SENSE AND DO NOT TOUCH THE GLASS GUARD WITH YOUR NAKED HAND. WARNING! NEVER PERMIT CHILDREN TO BE LEFT ALONE NEAR THE BURNER AND TABLE EITHER DURING A BURNING SESSION OR FOR AT LEAST 60 MINUTES AFTER A BURNING SESSION



WARNING: Failure to read, understand & closely follow ALL Instructions and Warnings can cause Uncontrolled Fire, Loss of Property, SEVERE BURNS and / or DEATH.



- For OUTDOOR USE only- DO NOT use in Windy Conditions
- ONLY use specified ethanol fuel-See User Manual
- ONLY light fire using long-stemmed BBQ/Kitchen Lighter. Do NOT use matches or cigarette lighter
- NEVER leave fuel near burner. Store fuel safely.
- NEVER permit children/pets to touch or play near fire table
- DO NOT overfill fuel tank-Fill according to level defined in User Manual
- EXTREME DANGER - NEVER add fuel to burner while it is Lit or HOT & for at least 30 minutes AFTER fire vent is CLOSED
- NEVER operate burner without protective glass guard in place
- Glass guard becomes HOT quickly-NEVER touch glass during operation or for 30 minutes AFTER fire vent is closed
- If fire becomes uncontrollable: Exit area quickly and call Fire Dept.
- Always APPROACH fire burner with EXTREME CAUTION and care
- Visit Website at: <http://seasonalliving.com/qr/fire-coffeetable>. for more detailed Safety and Operation instructions

NEVER REMOVE THIS WARNING TAG. THIS TAG IS INTENDED FOR YOUR & OTHERS SAFETY



Use Smart Phone to Scan QR CODE for More Safety info

THIS WARNING LABEL IS ATTACHED TO THE TOP OF YOUR ETHANOL BURNER. IT IS HEAT RESISTANT, FLAME RESISTANT AND SUITABLE FOR OUTDOOR USE. **DO NOT REMOVE THIS WARNING LABEL FROM YOUR ETHANOL BURNER.** IF YOU REQUIRE A REPLACEMENT WARNING LABEL CONTACT THE RETAILER OR YOUR DESIGNER WHERE YOU PURCHASED THIS PRODUCT FROM FOR A FREE REPLACEMENT



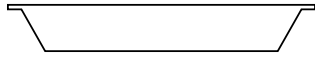
THIS IS A QR CODE (QUICK RESPONSE CODE), WHICH CAN PROVIDE YOU WITH DETAILED INFORMATION ON HOW TO SAFELY OPERATE YOUR ETHANOL BURNER. TO ACCESS THE INFORMATION LINKED TO THIS QR CODE, YOU WILL NEED A SMART PHONE AND A QR CODE READER APP – MANY QR CODE READERS APPS ARE FREE. BEFORE YOU SCAN THIS QR CODE, CHECK THAT THE QR CODE READER WORKS (TEST IT ON OTHER QR CODES).

ALTERNATIVELY, USING THE INTERNET, VISIT THE FOLLOWING WEBSITE URL: <http://www.seasonalliving.com/qr/firecoffeetable> THE QR CODE AND WEBSITE URL CONTAIN USER AND OWNER'S MANUAL INFORMATION AND ARE INTENDED TO PROTECT YOU AND OTHERS. NEVER PEEL OR REMOVE THIS LABEL FROM THE TOP OF THE ETHANOL BURNER. THIS IS INTENDED TO PROTECT YOU AND OTHERS AT ALL TIMES

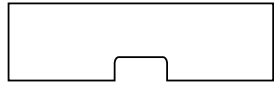
Parts List and Descriptions

Make sure you have all of the Zanzibar table and Ethanol Liquid Fuel Burner components as outlined below in this Parts & Descriptions schematic. Check that they are in perfect condition before use.

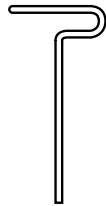
SIDE VIEW



ZINC PAN
(FOR DECORATIVE USE ONLY! NOT TO EVER BE USED WITH THE BIO ETHANOL LIQUID FUEL BURNER)



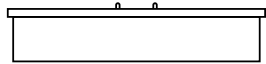
CERAM GLASS SAFETY GUARD PANELS (1 PIECE)
(FRONT PANEL WITH CUT OUT AREA FOR FIRE HOOK TOOL TO SLIDE OPEN AND CLOSE THE BURNER VENT)



FIRE HOOK (1 PIECE)
(TOOL THAT IS TO BE USED TO OPEN AND CLOSE THE VENT ON THE BIO ETHANOL LIQUID FUEL BURNER)



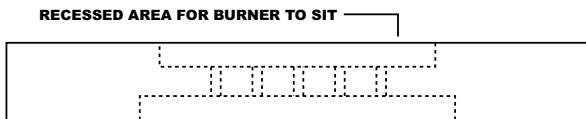
CERAM GLASS SAFETY GUARD PANELS (3 PIECES)
(LEFT, RIGHT, AND REAR PANELS)



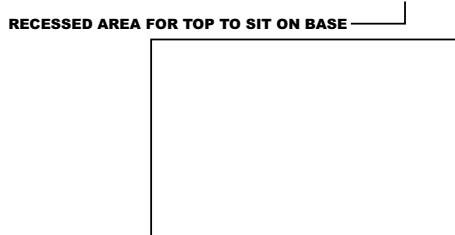
BIO ETHANOL LIQUID FUEL BURNER (1 PIECE)



ALUMINUM "L" SHAPED CHANNELS (4 PIECES)
(ALUMINUM CHANNELS TO HOLD THE CERAM GLASS SAFETY GUARD PANELS)

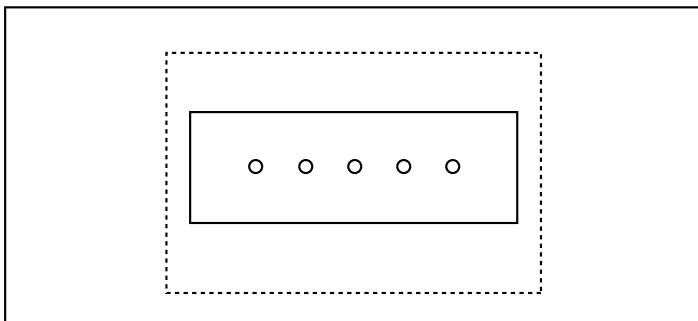


CONCRETE TABLE TOP (1 PIECE)



CONCRETE TABLE TOP (1 PIECE)

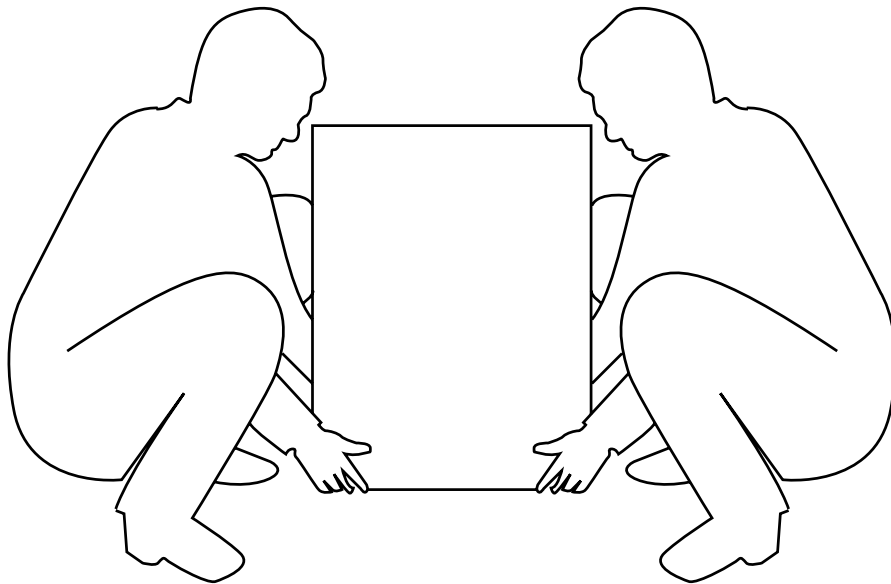
TOP VIEW



* PLEASE NOTE THE TOP VIEW OF TABLE IS SHOWN WITH OUT THE BIO ETHANOL BURNER OR THE ZINC PAN.

Parts List and Descriptions

- Unpack all items and have someone to assist you to assemble the table
- Unpack all of the ethanol burner items on top of a towel or soft blanket. Make sure that you have all the items / parts as shown in the parts drawings above.
- Remove all outer packaging and check that the ethanol burner is in good condition – free of dents, tears, and holes. If you find damage to your ethanol burner, DO NOT USE IT and contact your retailer or designer immediately.
- Using a soft cloth, wipe the new ethanol burner to make sure that you have removed any dust or excess packaging. Check that no foreign objects have fallen inside the ethanol burner tank. Set your ethanol burner aside.
- Open the liquid ethanol burner vent and check that there are no blockages, debris, or dirt stuck in the ethanol burner. Check that the open and closing vent (sliding lid on the top surface of the burner) works smoothly and that you can easily move the vent back and forth (open and close). If this does not operate easily, DO NOT USE THE ETHANOL BURNER. Contact your retailer or designer for assistance.
- Open the package containing the Ceram Glass Safety Guard. Carefully remove the 4 enclosed pieces of glass and place on a soft padded surface. Check the glass for chips, minor cracks, or flaws / faults. If you find any faults at all, DO NOT USE THE CERAM GLASS SAFETY GUARD and contact your retailer or designer. Retain all packaging, and do not discard any part of the glass or packaging until advised to do so by the distributor, retailer or designer who sold this product to you.
- Read and make sure you understand the warning message on the Ceram Glass Safety Guard and on the ethanol burner. If you do not understand the warning label, contact your retailer or designer for clarification.
- Before using the ethanol burner, remove any plastic or paper warning stickers from the Ceram Glass Safety Guard and ethanol burner. Use a regular glass cleaner or warm soapy water to clean the Ceram Glass Safety Guard. Make sure that the glass is completely dry BEFORE lighting the ethanol burner.
- In your packaging, you will find 4 x L-shaped aluminum anodized corner channels. These channels are designed to hold the glass in place – they are all equal in size. Remove them from the packaging and set them aside.
- These are the only pieces you will use to operate the ethanol burner.



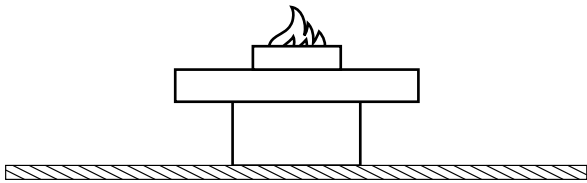
WHEN UNPACKING CONTENTS OF LARGE AND HEAVY PACKAGES, BE SURE TO ALWAYS LIFT WITH YOUR KNEES. ASSEMBLY OF THE TABLE WILL REQUIRE TWO ADULTS TO SAFELY ASSEMBLE THE PARTS.

How to Safely Assemble & Operate Concrete Table & Burner

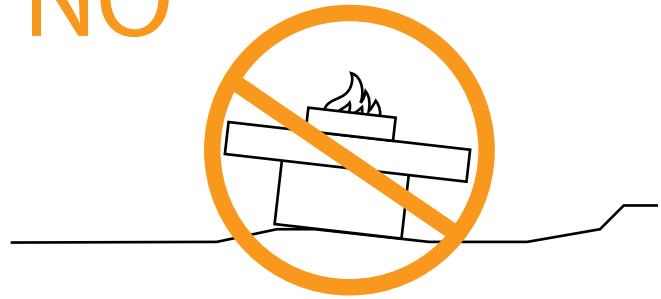
1

BE SURE TO ASSEMBLE THE TABLE ON A FLAT SMOOTH SOLID STONE SURFACE OUTDOORS AWAY FROM OVERHANGING TREES, OVER HANGS, BUILDINGS, AND OTHER STRUCTURES THAT COULD BECOME A FIRE HAZARD.

YES



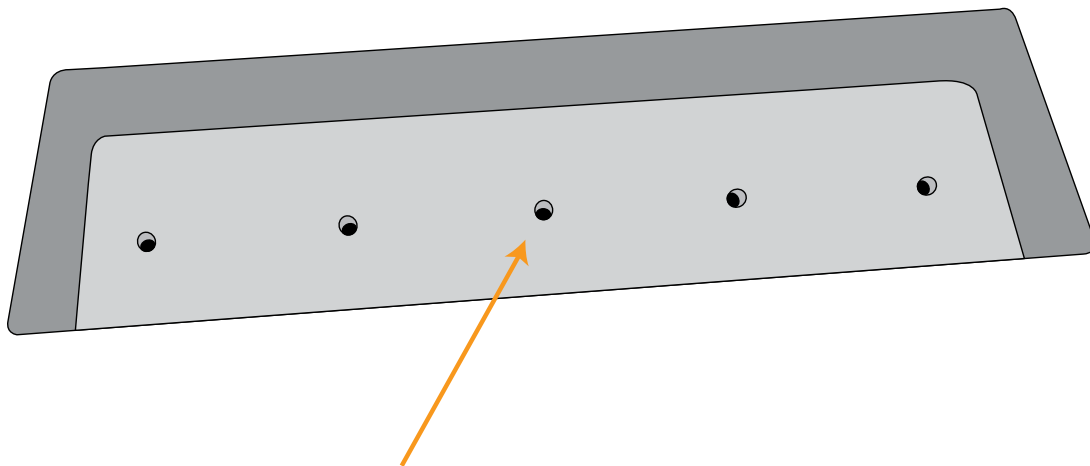
NO



Make sure the table is located in a space that is not easy to knock or kick over when using and operating the fuel burner. If you cannot place the table in a stable / level and secure position, Do NOT operate the ethanol burner.

2

BE SURE TO MAKE SURE THE HOLES ARE FREE AND CLEAR OF ANY PACKING DEBRIS. HOLES ARE FOR DRAINAGE PURPOSES.



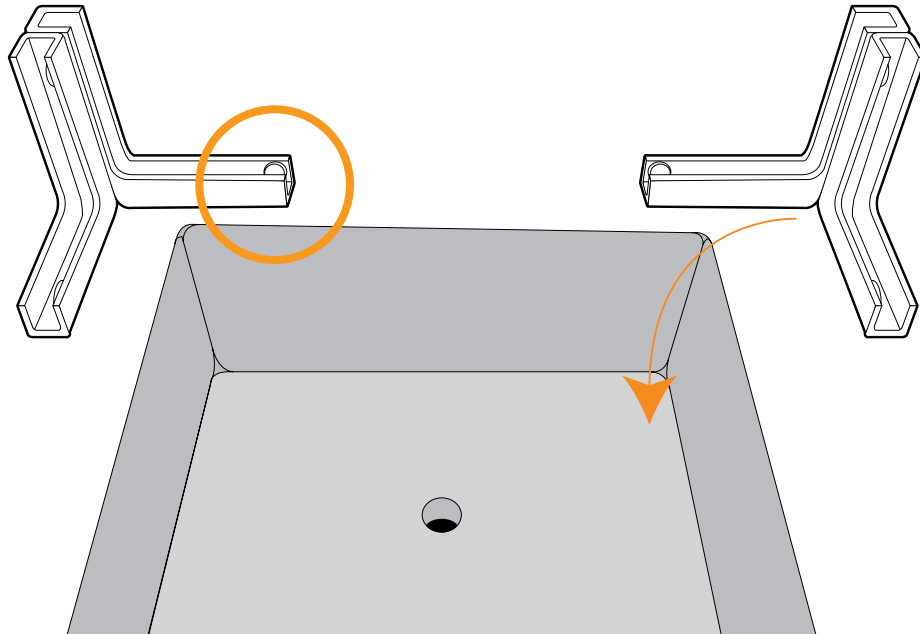
DETAIL OF THE FIRE TROUGH IN THE CONCRETE TABLE TOP AS SHOWN ABOVE.

How to Safely Assemble & Operate Concrete Table & Burner

3

TAKE OUT OF THE BOX, THE 4 PIECES OF ALUMINIUM “L” SHAPED CHANNELS AND POSITION THEM IN EACH CORNER OF THE FIRE TROUGH IN PREPARATION TO INSTALL THE CERAM GLASS SAFETY GUARD PANELS. **IMPORTANT: NOTICE THAT THE “L” SHAPED CHANNELS CONTAIN PLASTIC BUMPSONS (SEE HIGHLIGHTED CIRCLE IN DIAGRAM BELOW). DO NOT REMOVE, THESE INSURE A SNUG GLASS FIT TO THE “L” SHAPED CHANNEL.**

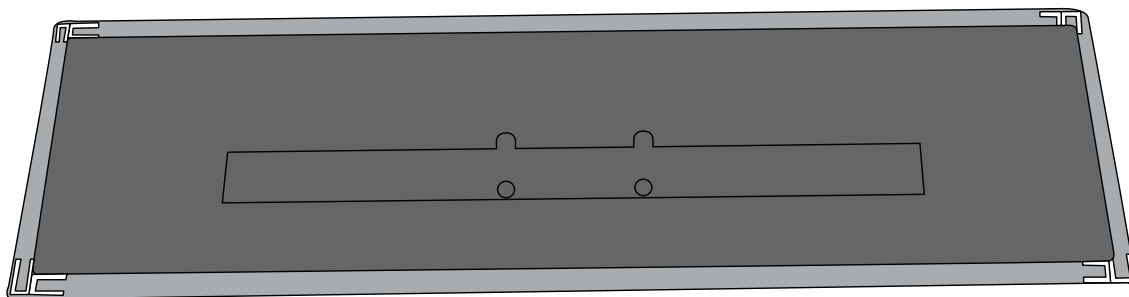
YOU WILL THEN PLACE THE ALUMINIUM “L” SHAPED CHANNELS SNUGGLY INTO EACH CORNER OF THE FIRE TROUGH. THE CERAM GLASS SAFETY GUARD PANELS WILL THEN BE ABLE TO STAND ONCE SLID INTO THE CHANNELS OF THE ALUMINIUM “L” SHAPED CHANNELS.



4

CAREFULLY LOWER THE EMPTY ETHANOL LIQUID BURNER INTO THE CONCRETE FIRE TROUGH.

MAKE SURE IT IS CENTERED IN THE TROUGH, NOT TOUCHING ANY OF THE ALUMINIUM “L” SHAPED CHANNELS, CERAM GLASS SAFETY GUARD PANELS, OR WALLS OF THE FIRE TROUGH.

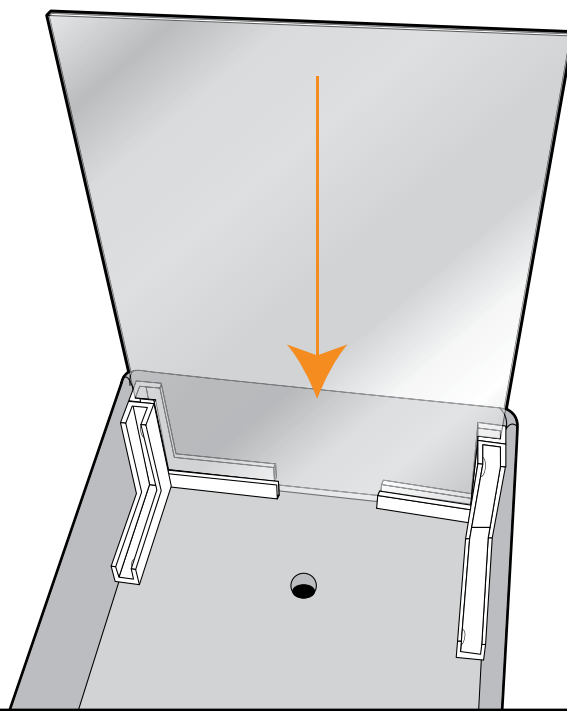


How to Safely Assemble & Operate Concrete Table & Burner

5

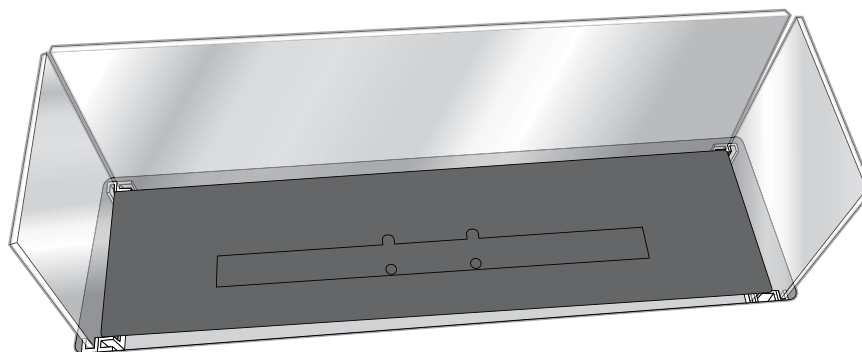
Before installing the Ceram Glass Safety Guard, check that all glass panels are clean and suitable for use – your Ceram Glass Safety Guard will have a amber tint to it – this is ceram glass that has been specifically designed and Made in the USA for this type of ethanol burner / fire. This is NOT safety / tempered glass, but this glass is more suited to use for fire glass guards.

SLIDE EACH PIECE OF THE CERAM GLASS SAFETY GUARD PANELS VERTICALLY INTO EACH OF THE ALUMINUM “L” SHAPED CHANNELS.



6

SLIDE THE TWO SIDE AND ONE REAR CERAM GLASS SAFETY GUARD PANELS INTO THE ALUMINUM “L” SHAPED CHANNELS. MAKE SURE ALL CERAM GLASS SAFETY GUARD PANELS ARE SECURE AND FIT WELL INTO THE ALUMINUM “L” SHAPED CHANNELS.



How to Safely Assemble & Operate Concrete Table & Burner

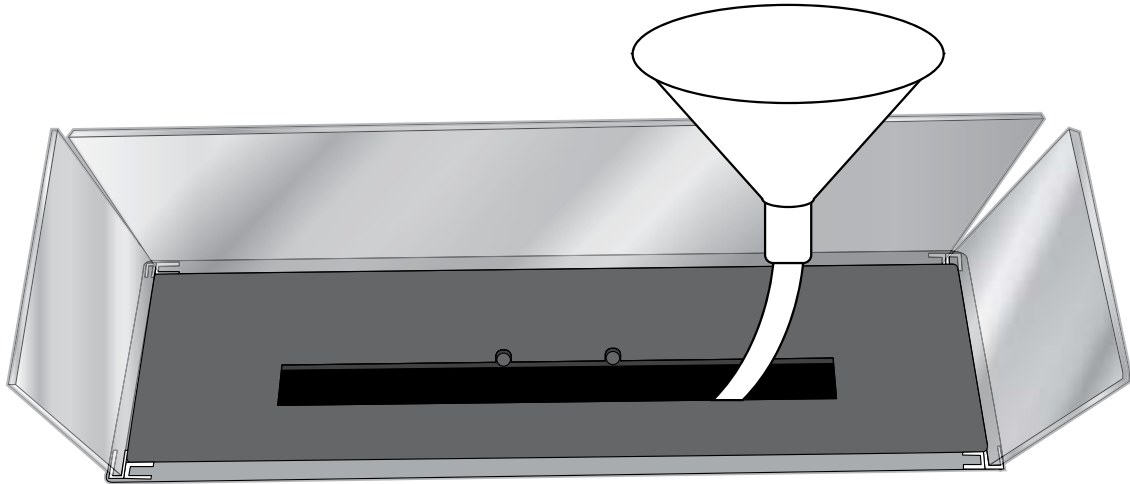
7



WARNING!

*****PLEASE NOTE*****

FOR YOUR SAFETY, NEVER FILL MORE THAN 1 LITRE OF ETHANOL LIQUID FUEL PER BURN SESSION INTO THE ETHANOL LIQUID FUEL BURNER.



IT IS RECOMMENDED THAT YOU PURCHASE A FUNNEL TO SAFELY ADD THE ETHANOL LIQUID FUEL TO THE BURNER. IT IS IMPORTANT NOT TO HAVE ANY RESIDUAL FUEL ON THE SURFACES. THIS CAN BECOME A MAJOR FIRE HAZARD. NEVER STORE FUEL CONTAINER ON OR NEAR TABLE OR BURNER.

Use Only For
Indoor or Outdoor
Ventless Fireplaces



WORLD'S FIRST+ONLY SAFETYPOUR BOTTLE

IT IS STRONGLY RECOMMENDED THAT YOU USE THE SMART FUEL BRAND WITH THE PATENTED SAFETY-POUR™ BOTTLE. A KEY SAFETY FEATURE OF THIS PRODUCT IS ITS REVOLUTIONARY SAFETY NOZZLE/PLUG. THE NOZZLE IS DESIGNED TO NOT ALLOW FIRE TO TRAVEL UP THE FUEL STREAM BACK INTO THE BOTTLE.

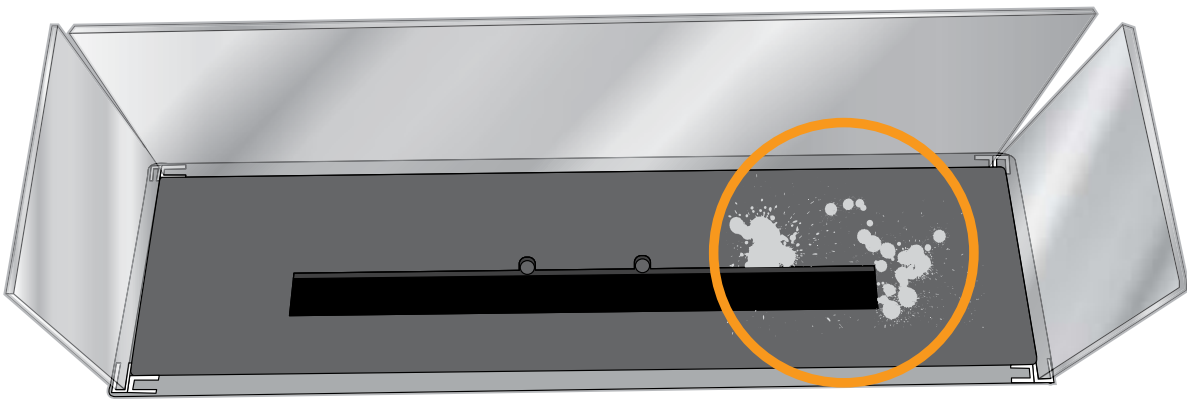
How to Safely Assemble & Operate Concrete Table & Burner

8

IT IS IMPORTANT NOT TO HAVE ANY RESIDUAL FUEL ON ANY SURFACES. THIS CAN BECOME A FIRE HAZARD. FUEL RESIDUE CAN ALSO DISCOLOR AND DAMAGE TABLE TOP MATERIAL.

PROPERLY DISPOSE OF ANY CLEANING MATERIALS THAT WERE USED TO WIPE UP FUEL. CAUTION! CLEANING MATERIALS COULD IGNITE AND BECOME A FIRE HAZARD IF NOT PROPERLY DISPOSED OF.

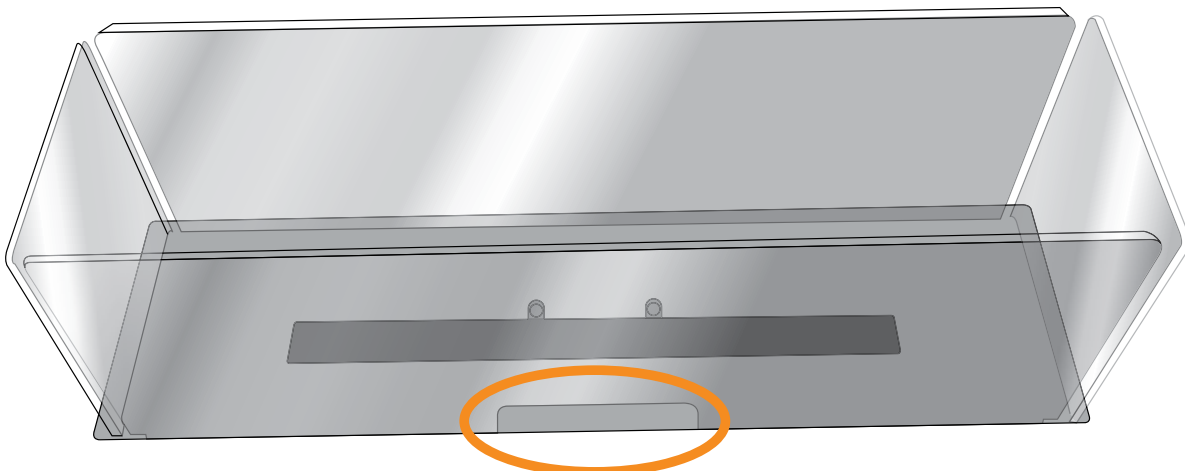
AGAIN, AS A REMINDER, IT IS RECOMMENDED THAT YOU PURCHASE A FUNNEL TO SAFELY ADD THE ETHANOL LIQUID FUEL TO THE BURNER.



9

INSTALL THE FINAL PANEL OF CERAM GLASS SAFETY GUARD. THE FRONT PIECE IS NOTCHED SO THAT ONCE IN PLACE, YOU STILL HAVE ACCESS TO THE BURNER AND VENT LID TO SAFELY OPEN AND CLOSE THE BURNER.

YOUR TABLE TOP AND BURNER SHOULD NOW LOOK LIKE THIS.

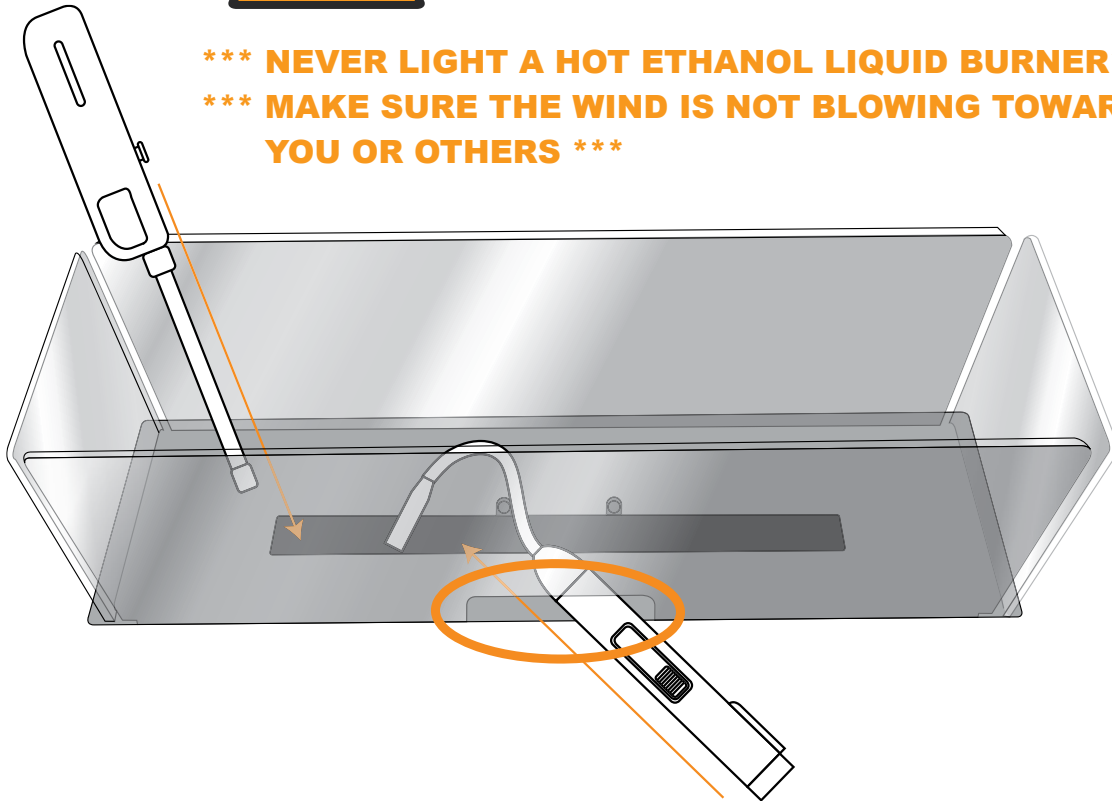


10



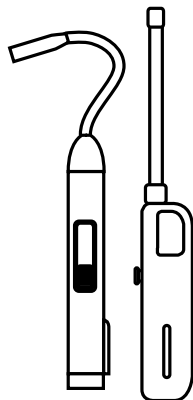
WARNING!

- *** NEVER LIGHT A HOT ETHANOL LIQUID BURNER ***
- *** MAKE SURE THE WIND IS NOT BLOWING TOWARDS YOU OR OTHERS ***



ONLY USE A LONG STEMMED KITCHEN/BARBEQUE LIGHTER TO IGNITE THE ETHANOL LIQUID FUEL BURNER. FOR YOUR SAFETY, NEVER USE A CIGARETTE LIGHTER OR MATCHES.

THE BURNER SHOULD ONLY BE LIT IN THE MANNER AS SHOWN ABOVE. OVER THE TOP OF THE GLASS OR THROUGH THE VENT ACCESS IN THE FRONT PANEL OF THE GLASS.



YES



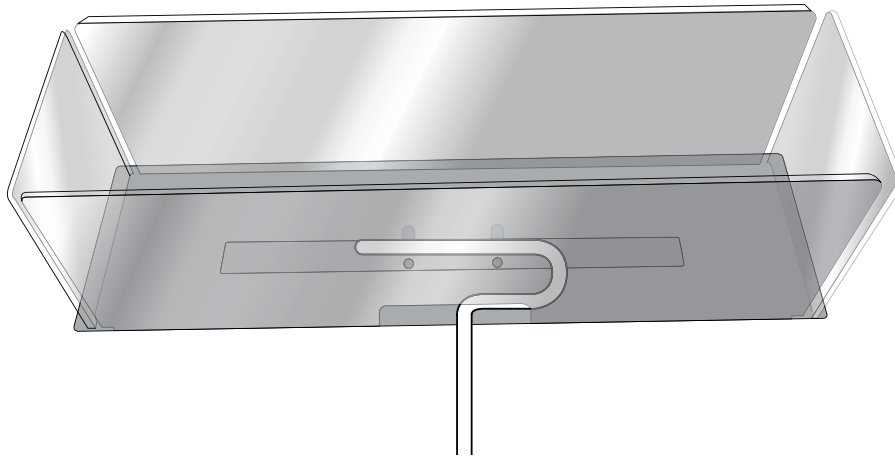
NO

How to Safely Assemble & Operate Concrete Table & Burner

11

ONLY USE THE FIRE HOOK THAT IS SUPPLIED WITH YOUR TABLE BURNER. IT IS DESIGNED TO BE ABLE TO SMOOTHLY PUSH THE BURNER VENT OPEN AND TO PULL THE BURNER VENT CLOSED.

YOU SHOULD ALWAYS KEEP THE VENT CLOSED WHILE BURNER IS NOT IN USE TO AVOID UNWANTED DEBRIS FROM ENTERING THE BURNER.

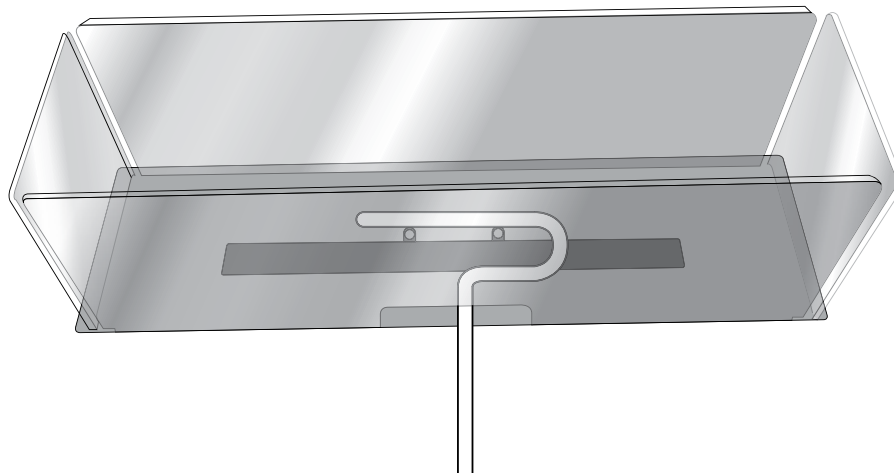


12

WHEN FLAMES ARE LOW OR YOU ARE NOT ABLE TO WATCH OVER THE ETHANOL LIQUID FUEL BURNER, USE THE FIRE HOOK TO PULL THE BURNER VENT COMPLETELY SHUT.

TO CLOSE THE VENT, INSERT FIRE HOOK THROUGH THE VENT ACCESS HOLE IN THE FRONT PANEL OF THE CERAM GLASS SAFETY PANEL. USE THE FIRE HOOK TO GRAB THE POSTS ON THE BURNER VENT AND GENTLY PULL THE VENT LID TOWARDS YOU UNTIL THE BURNER VENT IS COMPLETELY CLOSED.

THE NEXT STEP IS THE MOST IMPORTANT SAFETY INFORMATION PROVIDED IN THE USER MANUAL. PLEASE TAKE NOTE AND CAUTION. THIS CAN BE VERY DANGEROUS IF NOT TAKEN SERIOUSLY. FIRE HAZARD, BURNS, AND POSSIBLY DEATH MAY OCCUR IF NOT FOLLOWED CORRECTLY.



How to Safely Assemble & Operate Concrete Table & Burner

13



WARNING!

THE STEP IS THE MOST IMPORTANT SAFETY INFORMATION PROVIDED IN THE USER MANUAL. PLEASE TAKE NOTE AND BE EXTREMELY CAUTIOUS. THIS CAN BE VERY DANGEROUS IF NOT TAKEN SERIOUSLY. FIRE HAZARD, BURNS, AND POSSIBLY DEATH MAY OCCUR IF NOT FOLLOWED CORRECTLY.



WARNING! YOU SHOULD ONLY REFILL ETHANOL BURNER ONCE FUEL HAS COMPLETELY BURNED OUT. YOU MUST WAIT AT LEAST 30 MINUTES WITH THE VENT LID SECURELY AND COMPLETELY CLOSED BEFORE YOU CAN CAUTIOUSLY APPROACH THE BURNER TO RE-FUEL.

AFTER 30 MINUTES HAS PASSED WITH THE BURNER VENT COMPLETELY CLOSED, CAUTIOUSLY APPROACH THE BURNER AND HOLD YOUR HAND A FEW INCHES AWAY FROM THE CERAM GLASS SAFETY GUARD. IF YOU DO NOT FEEL ANY HEAT COMING FROM THE CERAM GLASS SAFETY GUARD, THEN USING THE FIRE HOOK THROUGH THE VENT ACCESS HOLE IN THE CERAM GLASS SAFETY GUARD CAREFULLY PUSH THE VENT BURNER LID BACKWARDS. WAIT A FEW MORE MINUTES - CHECK TO SEE IF THE BURNER IS WARM OR HOT, IF SO, WAIT ANOTHER 10 MINUTES. IF THE BURNER IS COOL TO THE TOUCH, BEGIN RE-FUELING PROCESS AS DESCRIBED EARLIER IN THESE INSTRUCTIONS.

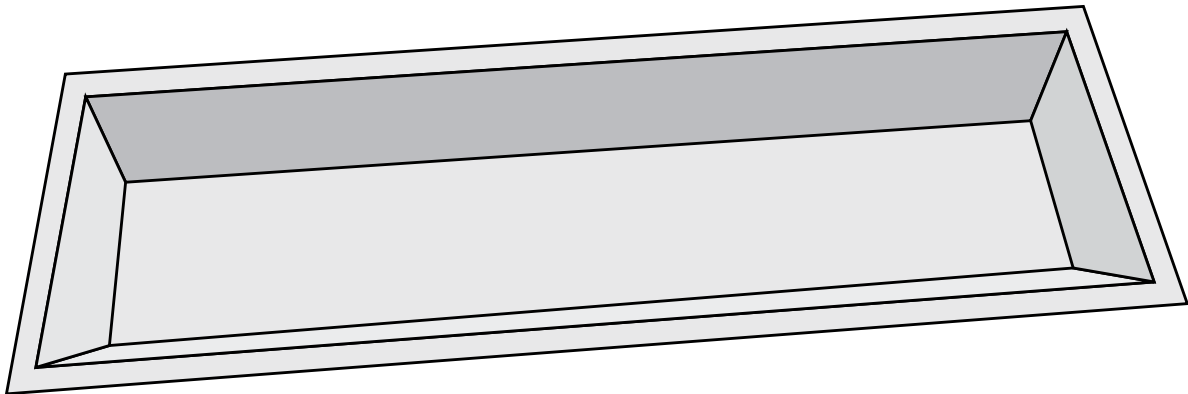
How to Safely Assemble & Operate Concrete Table & Burner

14

WHEN ETHANOL LIQUID FUEL BURNER IS NOT IN USE, SAFELY STORE BURNER AND CERAM GLASS SAFETY GUARD (ALONG WITH ALUMINUM 'L' SHAPED CHANNELS IN A SAFE PLACE FROM WEATHER. MAKE SURE THERE IS NO RESIDUAL ETHANOL LIQUID FUEL LEFT IN THE BURNER BEFORE STORING IN A COOL AND SECURE WELL VENTILATED AREA.

THE ZINC PAN IS DESIGNED TO BE USE AS A DECORATIVE ACCESSORY WHEN YOU DO NOT WISH TO USE THE BURNER.

THE ZINC PAN CAN BE USED TO DISPLAY FLOWERS IN CONTAINERS, FILL WITH WATER AND USE FLOATING CANDLES, FILL WITH ICE TO KEEP BEVERAGES COOL. THERE ARE A NUMBER OF THINGS YOU CAN DO WITH THE PAN TO KEEP YOUR TABLE STYLISH WHEN THE ETHANOL LIQUID FUEL BURNER AND CERAM GLASS SAFETY GUARDS ARE NOT IN USE.



Product Care, Cleaning and Maintenance

ETHANOL BURNER CARE

Regular maintenance protects you, others, and your product. Follow these steps to keep your ethanol burner in good, working order.

Always check all components of your ethanol burner before you fill it with liquid ethanol fuel or light it.

Do NOT use the Ceram Glass Safety Guard or ethanol burner if they have any damage, dents, or holes. This could cause fuel leakage. Failure to follow these instructions can lead to uncontrolled fire.

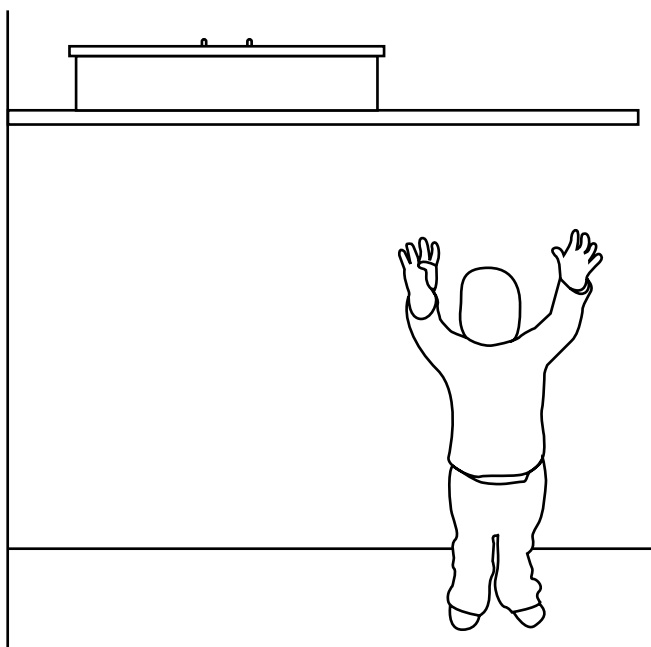
When not using the ethanol burner, ensure it is clean and empty of ethanol liquid fuel. Store it indoors in a safe place along with the Ceram Glass Safety Guard (where none of these products be accessed by children or pets). Keep the stainless steel vent in the ethanol burner firmly closed to keep dirt and other foreign objects out of the burner.

Regular cleaning will help you to maintain a nice clean stainless steel appearance and also allow family and friends to easily see warnings and warning symbols on the ethanol burner.

To clean your ethanol burner:

- Periodically, use a non-abrasive stainless steel cream oven cleaner such as Godard's Oven Cleaner along with a Scotch-Brite® No Scratch sponge pad (and, if required, a small brush to access areas that are difficult to reach) to remove fuel burn brown marks. These products should be available at your local hardware store or online.
- DO NOT use abrasive cleaners or abrasive pads on the warning tag.
- If you see dirt build up inside the ethanol burner, make sure the burner is cold, then use regular dish washing soap with warm water to carefully rinse it.
- Clean the Ceram Glass Safety Guard regularly with warm soapy water or a glass cleaner that does not have alcohol or another flammable substance.

If you live by the ocean or wish to further protect your table, we recommend that you purchase a table cover or contact your designer or the store from where you purchased this product for table cover options. When not using the ethanol burner, apply a thin coating of stainless steel protection spray evenly all over it to reduce the chances of rust spotting. Wait until the protection spray has fully dried before using the ethanol burner again.



MAKE SURE TO STORE IN A SAFE PLACE AWAY FROM CHILDREN'S REACH***

WHEN ETHANOL LIQUID FUEL BURNER IS NOT IN USE, SAFELY STORE BURNER AND CERAM GLASS SAFETY GUARD (ALONG WITH ALUMINUM 'L' SHAPED CHANNELS IN A SAFE PLACE FROM WEATHER. MAKE SURE THERE IS NO RESIDUAL ETHANOL LIQUID FUEL LEFT IN THE BURNER BEFORE STORING IN A COOL AND SECURE WELL VENTILATED AREA.

PERPETUAL LIGHT WEIGHT CONCRETE COLLECTION

About / How To Care For & Maintain

Our Perpetual Collection of furniture and planters is designed for full in or outdoor use. (Note, our Zanzibar ethanol burner is only to be used outdoors). Our products are made from a combination of Portland Cement®, special hemp-like grass and natural sands. We do not include any resin and or fiberglass in any of our construction of any of these products. All products in this collection are totally biodegradable.

How to Care For / Your Concrete Product

Please follow these basic steps in assembling and protecting your product:

- 1) Be sure to read all assembly and related information, which is shipped with your product. **DO NOT ASSEMBLE THE PRODUCT IN ANY MANNER OTHER THAN INTENDED BY THE MANUFACTURER.**
- 2) Always seek the assistance of another physically capable adult to assist you in assembling your products. Never try to assemble products on your own, you may hurt yourself and damage / break your product.
- 3) Never use the product in a manner not intended e.g. do not stand, sit or jump on or off any table, doing so may cause injury and harm to you and to others around you as well as damage or break products
- 4) **When you receive your Perpetual Collection merchandise, we recommend that you immediately protect the surfaces of all concrete materials by following these simple instructions. Failure to do so will result in staining of the product and any claim against your product being void.**

Grey Concrete Products:

Remember: Concrete is a porous product and is prone to absorption of oils, fuels, acids and chemicals. Follow these steps to protect your product and maintain a good protective seal

YOU MUST USE EITHER A PRODUCT SUCH AS JOHNSTON'S FLOOR WAX OR OTHER WAX STONE SEALER OR USE THE SEALING SPRAY THAT SEASONAL LIVING CARRIES TO SEAL ALL OUTER SURFACES OF THE CONCRETE

MATERIAL. IF YOU FAIL TO DO THIS, YOUR TABLE IS PRONE TO STAINING AND IS NOT WARRANTED BY OUR MANUFACTURER'S LIMITED WARRANTY

Depending on where and how often you use your Perpetual Collection product, we recommend more regular sealing (especially for outdoor use or heavy soiling from acid based and or oil based foods and liquids at least 3-4 times per year.

For stronger protection, we recommend that you seal the grey concrete with a stone floor wax sealer – apply liberally with a soft non abrasive cloth and working quickly rub the wax into the product. **DO NOT ALLOW THE WAX TO STAY ON, DRY AND HARDEN – THIS MAY DAMAGE THE PATINA OF THE CONCRETE –** We recommend you work in sections, massage the wax in for a quarter or half of the product and then buff it to a nice luster or shine with another clean, soft dry cloth and then continue with the remainder of the product. We then recommend that you leave the product to absorb the wax for at least 4-5 hours. After this time, we recommend you use the sealing spray offered by Seasonal Living and spray or pour a reasonable amount of the sealer on to a cloth and working quickly coat all sides of your product. Allow the merchandise to dry fully for 24 hours before using. Finally, after 24 hours re-apply a light coat of the floor wax and buff to a low shine. Your table will now have a good base of protection but is not totally sealed. See below regarding spills.

For Ivory-White Concrete Products:

Remember: Concrete is a porous product and is prone to absorption of oils, acids and chemicals. Follow these steps to protect your product and maintain a good protective seal

WE RECOMMEND THAT FOR ALL IVORY-WHITE CONCRETE PRODUCTS YOU ONLY USE THE PROTECTIVE SEALING SPRAY PROVIDED BY SEASONAL LIVING AND IF YOU CAN OBTAIN A CLEAR OR CREAM BASED (NO DYES OR COLORS IN THE WAX – THIS MAY STAIN YOUR PERPETUAL CONCRETE MERCHANDISE) WAX FOR APPLICATION TO STONE AND OR CONCRETE SURFACES.

Depending on where and how often you use your Perpetual Collection product, we recommend more regular sealing (especially for outdoor use or heavy soiling from acid based and or oil based foods and liquids at least 3-4 times per year.

For stronger protection, we recommend that you seal the ivory-white concrete with a no dye / color stone floor wax sealer (test this wax on an area that cannot be easily seen to make sure it does not stain the ivory-white concrete patina) – apply liberally with a soft non-abrasive cloth and working quickly rub the wax into the product. **DO NOT ALLOW THE WAX TO STAY ON, DRY AND HARDEN – THIS MAY DAMAGE THE PATINA OF THE CONCRETE –** We recommend you work in sections, massage the wax in for a quarter or half of the product and then buff it to a nice luster or shine with

Product Care, Cleaning and Maintenance

another clean, soft dry cloth and then continue with the remainder of the product. We then recommend that you leave the product to absorb the wax for at least 4-5 hours. After this time, we recommend you use the sealing spray offered by Seasonal Living and spray or pour a reasonable amount of the sealer on to a cloth and working quickly coat all sides of your product. Allow the merchandise to dry fully for 24 hours before using. Finally, after 24 hours re-apply a light coat of the same floor wax and buff to a low shine. Your table will now have a good base of protection but is not totally sealed. See below regarding spills.

Protect Against Spills and Nature

Because Concrete is a porous product, while your sealing efforts will provide a good barrier, you must still protect your merchandise by being vigilant and we recommend that you follow these steps:

- A) If you spill any type of oil, grease, fuels, staining and or acidic-based juice or sauce (e.g. tomato or other red based sauces, lemon juice, vinegars etc), wipe it up immediately. Do not allow the liquid to remain on the surface of the product. Concrete by its pure nature is a natural product and as such is prone to absorption. Act immediately and you will be able to enjoy your furniture for years.
- B) When not using the product (e.g. furniture) we recommend that you protect the surface by using a professional grade furniture cover. This will help to ward off stains from trees, pollen, bird or other animal urine or fecal matter. Contact Seasonal Living for recommendations on covers.
- C) If you live by the ocean or a salt-water environment, do not allow salt spray to build up on your product. Wipe it off or hose it down on a regular basis. Salt can corrode your concrete product. Remember to regularly seal the product for more protection.
- D) We recommend that you regularly inspect the zinc pan and when you notice rusting starting to occur, we recommend that you purchase from your local hardware store a silver paint such as Rustoleum® or similar spray paint and apply this to the zinc pan in the manner advised by the paint manufacturer. Do not spray the zinc pan while it is in the concrete table top.

Protection From Heat Sources

Never place hot objects such as direct from oven to table cooking dishes directly on top of any Perpetual Collection table or furniture top. Doing so may discolor or cause a heat mark to be impregnated into the furniture's patina. Always use proper heat protection coasters (preferably with a soft cloth or cork base) to prevent heat being transferred directly on to the concrete table top patina.

Perpetual products can be used in an outdoor environment up to a maximum heat of 125 degrees Fahrenheit / 50 degrees Celsius.

Winter Storage

While your concrete merchandise can withstand severe cold (Maximum cold resistance 5 degrees Fahrenheit or minus 15 degrees Celsius), you must follow these steps to further protect your merchandise:

- A) Ideally, we would recommend you be able to move your concrete furniture into a sheltered location. If this is not possible, we recommend that you cover the furniture with a professional grade furniture cover. **DO NOT ALLOW WATER TO BUILD UP BETWEEN THE FURNITURE COVER AND THE CONCRETE SURFACE DURING FREEZING CONDITIONS.** If you cannot purchase a good cover, consider adding a layer of polystyrene foam between the table and your cover. Your goal must be to avoid a wet furniture cover coming into contact with the concrete and freezing. Make sure you do not allow snow and ice to build up on top of the cover if it is touching the furniture – failure to do so, may result in small hairline cracks appearing.

Warranty Information

LIMITED MANUFACTURER'S WARRANTY: Ceram Glass Safety Guard

You must inspect your Ceram Glass Safety Guard at the time of purchase. Your Ceram Glass Safety Guard is warranted against manufacturer's defects for a period of 6 months from date of purchase.

LIMITED MANUFACTURER'S WARRANTY: Ethanol Burner

This product includes a 1 (one) year limited manufacturer's warranty against manufacturing defects only. This does not include:

- Rust spotting,
- Negligence and poor product care,
- Operating damaged or defective product,
- Operating the ethanol burner with anything BUT liquid ethanol fuel
- Use of the product in any way other than what it is described in this document.

General Wear and Tear

The manufacturer warrants its Ethanol Liquid Fuel Burner to be free from manufacturing structural defects for a period of 1 (one) year from date of original purchase. Manufacturer, as its sole obligation, will repair or replace (at its option) any product, part, or component covered by this Limited Warranty, which fails under normal use and correct product maintenance as a result of a defect in material or workmanship. Manufacturer will repair or replace the aforementioned product, part, or component with a comparable product, part, or component. This Limited Warranty extends only to the original purchaser (original invoice customers only) who acquires the product new from Manufacturer. Any product, part, or component must have been installed, used, and maintained in accordance with the written instruction of Manufacturer, if any, included with the product or otherwise provided to purchaser. This Warranty covers defects in materials and manufacturing only; it does not include normal wear and tear, misuse, or abuse of product, or damage caused by lack of proper care and maintenance. Any modification to the original product voids this Limited Warranty. If within 1 (one) year of purchase, the Product is found to be defective due to quality of craftsmanship, a written claim must be immediately filed with supporting photographic evidence and a detailed description with dates detailing when defects were first encountered. Any transportation costs are NOT included in the Limited Warranty.

LIMITED MANUFACTURER'S WARRANTY: Concrete Furniture Perpetual Collection

Seasonal Living warrants its Perpetual Furniture Collection to be free from manufacturing structural defects for a period of two (2) years from date of original purchase. Seasonal Living, as its sole obligation, will repair or replace (at its option) any product, part, or component covered by this Limited Warranty, which fails under normal use and correct product maintenance as a result of a defect in material or workmanship. Seasonal Living will repair or replace the aforementioned product, part, or component with a comparable product, part, or component. This Limited Warranty extends only to the original purchaser (original invoice customers only) who acquires the product new from Seasonal Living, its affiliate(s), or its authorized reseller(s), if any. Any product, part, or component must have been installed, used and maintained in accordance with the written instruction of Seasonal Living, if any, included with the product or otherwise provided to purchaser. This Limited Warranty covers defects in materials and manufacturing only; it does not include normal wear and tear, misuse, or abuse of product, or damage caused by lack of proper care, installation and or maintenance. Any modification to the original product voids this Limited Warranty. If within two (2) years of purchase, the Product is found to be defective due to quality of craftsmanship, a written claim must be immediately filed with supporting photographic evidence and a detailed description with dates detailing when defects were first encountered.

Manufacturer Does Not Provided Any Warranty Against:

- Natural variations in the surface grain or texture, or the presence of character marks.
- Changes in the surface finish due to aging or exposure to light, nature's elements, salt water / vapor and / or cleaning products.
- Any damage or failure caused by outdoor use of a product not specifically designed and sold for outdoor use.
- Any damage or failure caused by improper use of the product or use of the product in a manner that it was not intended (e.g. the ethanol burner must be used in the manner that it is intended (as described in this user's manual) and not be used for any other purpose).
- Corrosion originating from scratches and scrapes, which damage the outer stainless steel.
- Use in a confined or chlorinated environment.

Warranty Information

- Any damage or failure resulting from improper storage or exposure to extreme temperature or humidity changes.
- Failure resulting from normal wear and tear.
- Misuse or abuse of the product.
- Damage in shipping.
- Failure to follow instructions, unauthorized repair or alterations.
- Removal or loss of any piece of the aforementioned product collection such as but not limited to Ceram Glass Safety Guard protectors, metal components, etcetera.
- Damage from customer dropping or placing products in a location that causes product to fall or be knocked over either due to traffic (human, animal or mechanical) or extreme weather including but not limited to strong winds. Customer must use common sense and place merchandise in a location that will protect it and ensure complete stability.

Inspection of your products

You are required to inspect your products when you take delivery of them. If the packaging is removed or damaged on delivery then you will be required to note any damage on the delivery documentation that is presented to you by the carrier for signature. FAILURE TO DO SO, VOIDS ANY CLAIM YOU MAY HAVE. You are required to contact us in writing within 48 business hours of receipt of the merchandise for any concealed damage, providing us with complete detailed photos and a clear and precise written description of all damages. We will not be liable for any damage to any of the Product(s) unless we are notified within the time periods specified above.

TO INSURE THAT THE LIMITED WARRANTY IS VALID, CUSTOMER MUST PROVIDE CLEAR PHOTOGRAPHIC AND WRITTEN DESCRIPTIONS / EVIDENCE OF FAULTY PRODUCT AND BE PREPARED TO PRESENT ALL FAULTY MERCHANDISE OR SAMPLES TO MANUFACTURER. SHOULD THE CUSTOMER CHOOSE NOT TO RETAIN DAMAGED MERCHANDISE, THEN THIS WARRANTY IS VOID.

TO THE EXTENT PERMITTED BY LAW, ANY IMPLIED WARRANTIES, INCLUDING BUT NOT LIMITED TO, ANY IMPLIED WARRANTY OF MERCHANTABILITY OR FITNESS FOR A PARTICULAR PURPOSE, ARE HEREBY DISCLAIMED AND TO THE EXTENT THEY ARE LEGALLY REQUIRED, ARE LIMITED IN DURATION TO THE DURATION OF THIS LIMITED WARRANTY. TO THE EXTENT PERMITTED BY LAW, MANUFACTURER SHALL NOT BE LIABLE FOR ANY INCONVENIENCE, COMMERCIAL LOSS, OR INCIDENTAL OR CONSEQUENTIAL DAMAGES. REPAIR OR REPLACEMENT OF THE PRODUCT UNDER THIS LIMITED WARRANTY IS THE PURCHASER'S EXCLUSIVE REMEDY. Some states (USA) do not allow the exclusion or limitation of incidental or consequential damages, or limitations on how long an implied warranty lasts, so the above limitations or exclusions may not apply. In such cases, this Limited Warranty shall be deemed amended solely to the extent limited by such applicable state law. This Limited Warranty gives the purchaser specific legal rights and the purchaser may also have other rights, which vary from state to state

THIS LIMITED WARRANTY IS ONLY APPLICABLE TO CUSTOMERS WITHIN THE UNITED STATES OF AMERICA FOR PRODUCT USE WITHIN THE UNITED STATES.

Contact by post/mail: Seasonal Living,
211, East Alpine Road, Austin, TX 78704, USA.

6.71: No other forms of communication are acceptable. We strongly recommend that any mailings by post / mail are by registered delivery either with the US Postal Service and or FedEx / UPS or other standard courier companies

Make sure to keep your receipt as proof for date of purchase.

