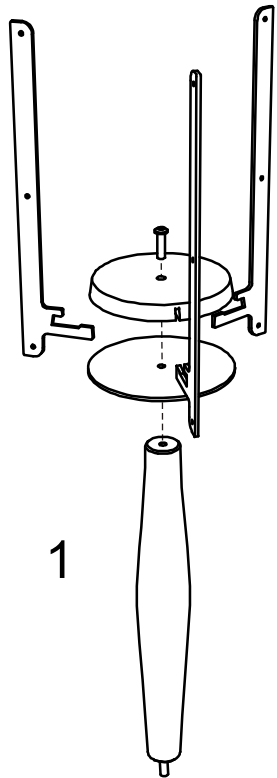
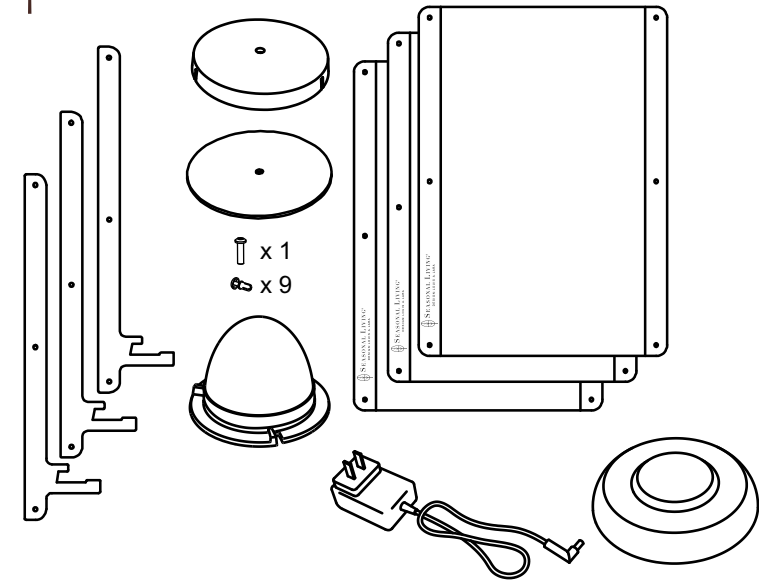




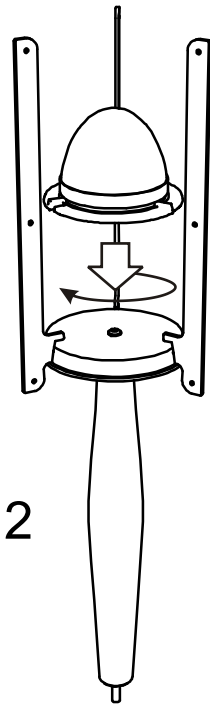
SEASONAL LIVING®

INDA FIREFLY TORCH ASSEMBLY INSTRUCTIONS

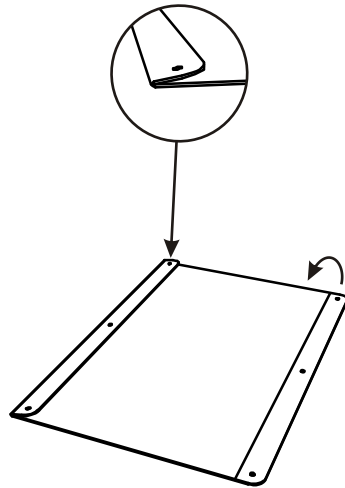
SEE REVERSE FOR CHARGING INSTRUCTIONS



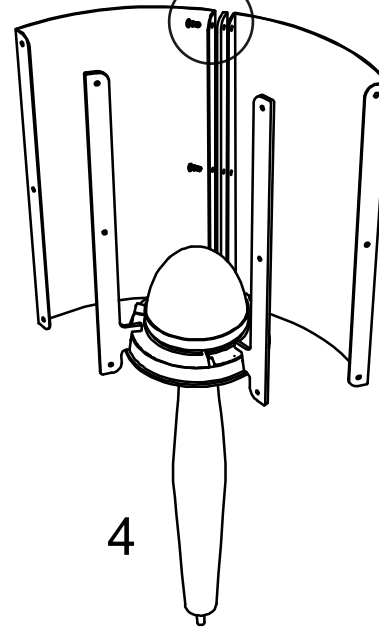
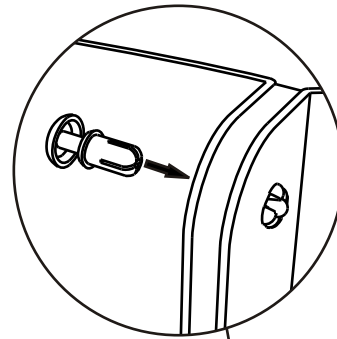
1



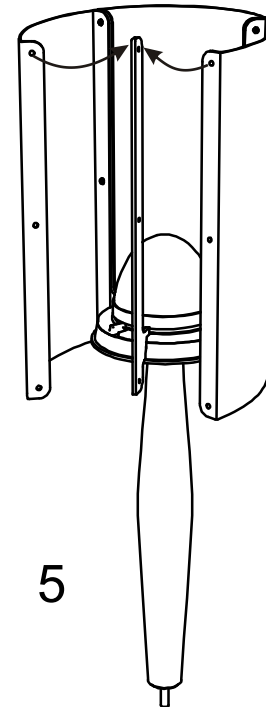
2



3

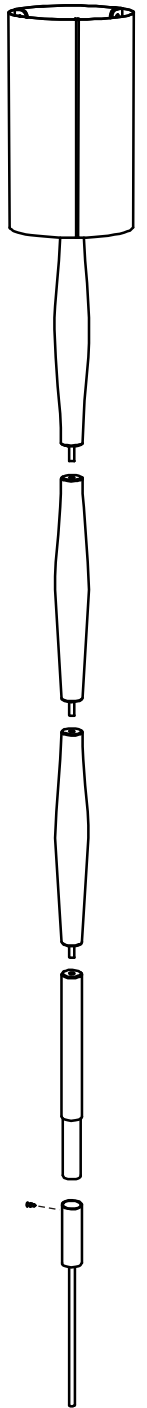


4



5

6



CHARGING INSTRUCTIONS:

1. Place the charging induction plate in a dry, indoor location - DO NOT operate or leave the charging induction plate outdoors.
2. Connect the plug to an electrical wall outlet with an input voltage of AC 100V-240V
3. Place the LED lamp directly on top of the charging induction plate so that there is a secure fit - you should see a red (for charging) or blue light (fully charged) omitted from the LED lamp. If you do not see any light omitting from the LED lamp, check your electrical wall outlet is working and the LED lamp is correctly placed directly on top of the charging induction plate
4. The indicator light will turn blue once the LED lamp is fully charged

LED LAMP OPERATING INSTRUCTIONS:

1. Place the LED lamp directly into the top of the lamp (once the lamp is fully assembled)
2. To turn the LED lamp on and off, turn it over and simply touch the on/off area indicated on the underside.
3. The LED lamp will operate continuously for at least 6.5 hours.
4. Recharging time is approximately 6 hours.
5. After approximately 800 charges the LED Lamp will lose 20% of its ability to fully hold a charge.

TECHNICAL SPECIFICATIONS

Adapter Input: AC 100V-240V 50/60Hz.

Charging Plate Input: DC7.5V

Operating Current: 1A

